

# Tumble Dryer

345 Liters (16 Kilograms) Capacity  
With Easy Control  
Refer to Page 3 for Model Numbers

Parts



# Table of Contents

Title	Page
Parts Ordering Information .....	2
Serial Plate Location .....	2
Model Identification .....	3
Front Panel Assembly .....	4
Filter Panel Assembly .....	6
Upper Panel for EC Models .....	8
Easy Control Components With Coin Meter (Drawing 1 of 2) .....	10
Easy Control Components With Coin Meter (Drawing 2 of 2) .....	12
Coin Meter (Drawing 1 of 3) .....	14
Coin Meter (Drawing 2 of 3) .....	16
Coin Meter (Drawing 3 of 3) .....	18
Easy Control Components Without Coin Meter (Drawing 1 of 2) .....	20
Easy Control Components Without Coin Meter (Drawing 2 of 2) .....	22
Easy Control with External Payment System (Drawing 1 of 2) .....	24
Easy Control with External Payment System (Drawing 2 of 2) .....	26
Cabinet - Heat Pump Models .....	28
Cabinet - Gas, Steam and Electric Models (Drawing 1 of 2) .....	30
Cabinet - Gas, Steam and Electric Models (Drawing 2 of 2) .....	32
Drum Assembly .....	34
Door Assembly .....	36
Door Assembly - Double Layer Door .....	38
Electric Heat Components .....	40
Gas Heat Components - Models Through Serial No. 16T014291QB .....	42
Gas Heat Components - Models Starting Serial No. 16T014292QB (Drawing 1 of 2) .....	44
Gas Heat Components - Models Starting Serial No. 16T014292QB (Drawing 2 of 2) .....	46
Steam Heat Components .....	48
Heat Pump (Drawing 1 of 2) .....	50
Heat Pump (Drawing 2 of 2) .....	52
Frequency Inverter Panel .....	54
Heat Pump Rinsing System .....	56
Exhaust .....	58
Drive System .....	60
Fan Housing Assembly .....	62
Electric Box Components - Heat Pump Models .....	64
Electric Box Components - Electric Models .....	66
Electric Box Components - Gas and Steam Models .....	68
Under Pressure Clutch .....	70
Heat Pump Booster .....	72
Humidity Sensor .....	74
WiFi Connection .....	76
Ventilator - Heat Pump Models .....	78
Parts Index .....	81

© Copyright 2023, Alliance Laundry Systems LLC

All rights reserved. No part of the contents of this book may be reproduced or transmitted in any form or by any means without the expressed written consent of the publisher.

# Parts Ordering Information

If literature or replacement parts are required, contact the source from whom the machine was purchased or contact Alliance Laundry Systems at (920) 748-3950 for the name and address of the nearest authorized parts distributor.

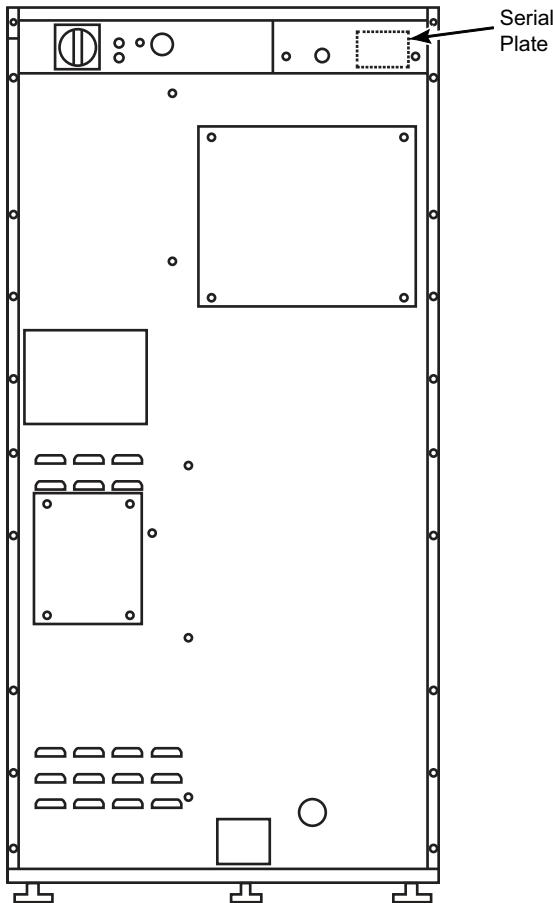
For technical assistance, call the number listed below:

(920) 748-3121 Ripon, Wisconsin

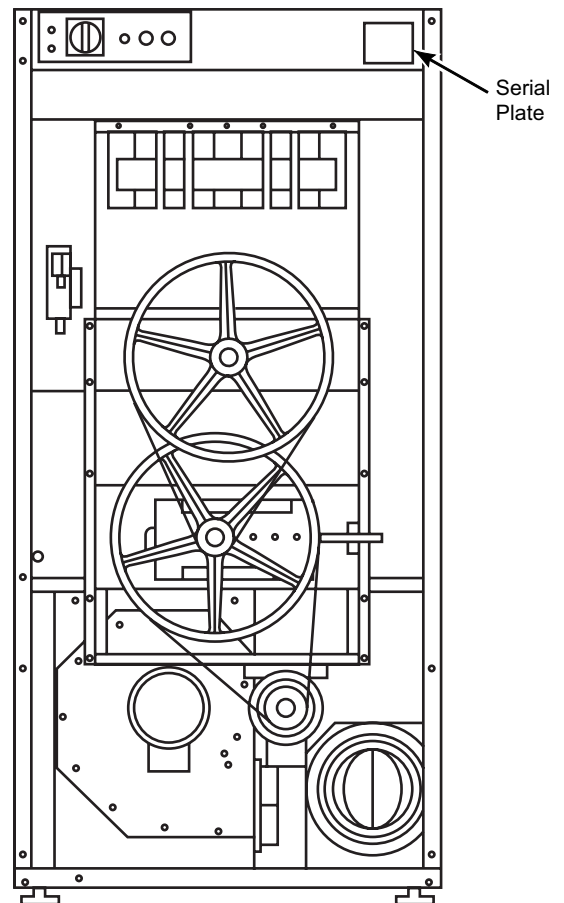
# Serial Plate Location

When calling or writing about your product, be sure to mention model and serial numbers. Model and serial numbers are located on serial plate(s).

**HEAT PUMP**



**GAS, STEAM AND ELECTRIC**



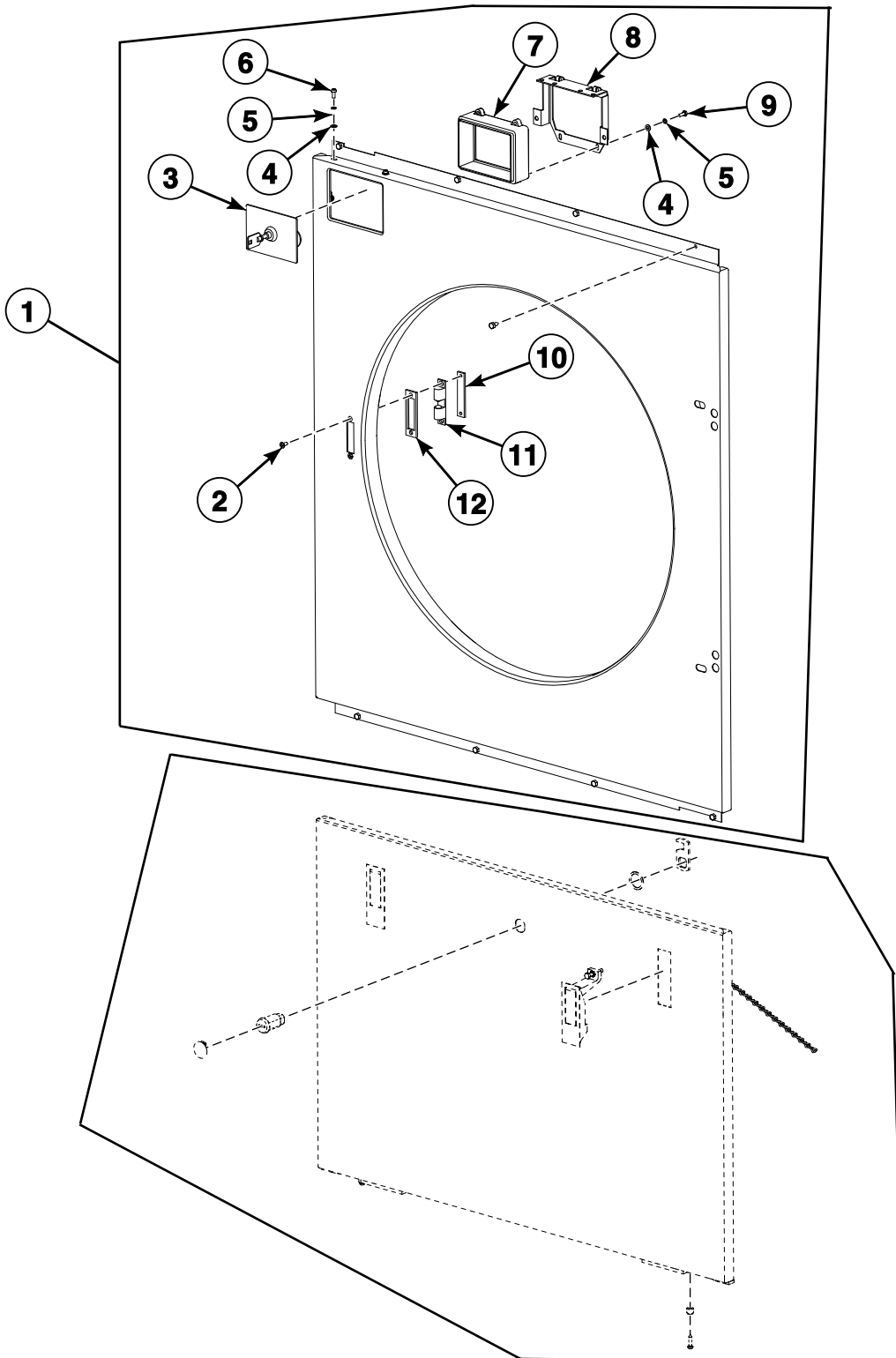
TMB3403P\_D2445

## Model Identification

Information in this manual is applicable to these tumbler models:

EC_HYDROS_ST19	IU345WE	NC345WE	PE345HE	SE345NE	UE345WE
EC_HYDROS_ST19HP	IU345ZE	NC345ZE	PE345LE	SE345SE	UH345EE
I345_EASY	IX345EE	NE345EE	PE345ME	SE345TE	UH345FE
IDR345	IX345FE	NE345FE	PE345NE	SE345WE	UH345HE
IHP345_EASY	IX345HE	NE345LE	PE345SE	SH345EE	UH345LE
LS350_EASY	IX345LE	NE345ME	PE345TE	SH345FE	UH345ME
LS350HP_BASIC	IX345ME	NE345NE	PE345WE	SH345HE	UH345NE
SDR345	IX345NE	NE345SE	PH345EE	SH345LE	UH345SE
SHP345_EASY	IX345SE	NE345TE	PH345FE	SH345ME	UH345TE
T16_EASY	IX345TE	NE345WE	PH345HE	SH345NE	UH345WE
T16E	IX345WE	NH345EE	PH345LE	SH345SE	UH345ZE
T16HP_EASY	IX345ZE	NH345FE	PH345ME	SH345TE	UU345EE
T16VP_EASY	LC345EE	NH345HE	PH345NE	SH345WE	UU345FE
UDR345	LC345HE	NH345LE	PH345SE	SH345ZE	UU345HE
UHP345_EASY	LC345LE	NH345ME	PH345TE	SU345EE	UU345ME
IC345EE	LC345ME	NH345NE	PH345WE	SU345FE	UU345SE
IC345FE	LC345NE	NH345SE	PH345ZE	SU345HE	UU345WE
IC345HE	LC345SE	NH345TE	PU345EE	SU345ME	UU345ZE
IC345LE	LC345TE	NH345WE	PU345FE	SU345SE	UX345EE
IC345ME	LC345WE	NH345ZE	PU345HE	SU345WE	UX345FE
IC345NE	LH345EE	NU345EE	PU345ME	SU345ZE	UX345HE
IC345SE	LH345HE	NU345FE	PU345SE	SX345EE	UX345LE
IC345TE	LH345LE	NU345HE	PU345WE	SX345FE	UX345ME
IC345WE	LH345ME	NU345ME	PU345ZE	SX345HE	UX345NE
IC345ZE	LH345NE	NU345SE	PX345EE	SX345LE	UX345SE
IE345EE	LH345SE	NU345WE	PX345FE	SX345ME	UX345TE
IE345FE	LH345TE	NU345ZE	PX345HE	SX345NE	UX345WE
IE345HE	LH345WE	NX345EE	PX345LE	SX345SE	UX345ZE
IE345LE	LU345EE	NX345FE	PX345ME	SX345TE	
IE345ME	LU345HE	NX345HE	PX345NE	SX345WE	
IE345NE	LU345ME	NX345LE	PX345SE	SX345ZE	
IE345SE	LU345SE	NX345ME	PX345TE	UC345EE	
IE345TE	LU345WE	NX345NE	PX345WE	UC345FE	
IE345WE	LX345EE	NX345SE	PX345ZE	UC345HE	
IH345EE	LX345HE	NX345TE	SC345EE	UC345LE	
IH345FE	LX345LE	NX345WE	SC345FE	UC345ME	
IH345HE	LX345ME	NX345ZE	SC345HE	UC345NE	
IH345LE	LX345NE	PC345EE	SC345LE	UC345SE	
IH345ME	LX345SE	PC345FE	SC345ME	UC345TE	
IH345NE	LX345TE	PC345HE	SC345NE	UC345WE	
IH345SE	LX345WE	PC345LE	SC345SE	UC345ZE	
IH345TE	NC345EE	PC345ME	SC345TE	UE345EE	
IH345WE	NC345FE	PC345NE	SC345WE	UE345FE	
IH345ZE	NC345HE	PC345SE	SC345ZE	UE345HE	
IU345EE	NC345LE	PC345TE	SE345EE	UE345LE	
IU345FE	NC345ME	PC345WE	SE345FE	UE345ME	
IU345HE	NC345NE	PC345ZE	SE345HE	UE345NE	
IU345ME	NC345SE	PE345EE	SE345LE	UE345SE	
IU345SE	NC345TE	PE345FE	SE345ME	UE345TE	

# Front Panel Assembly

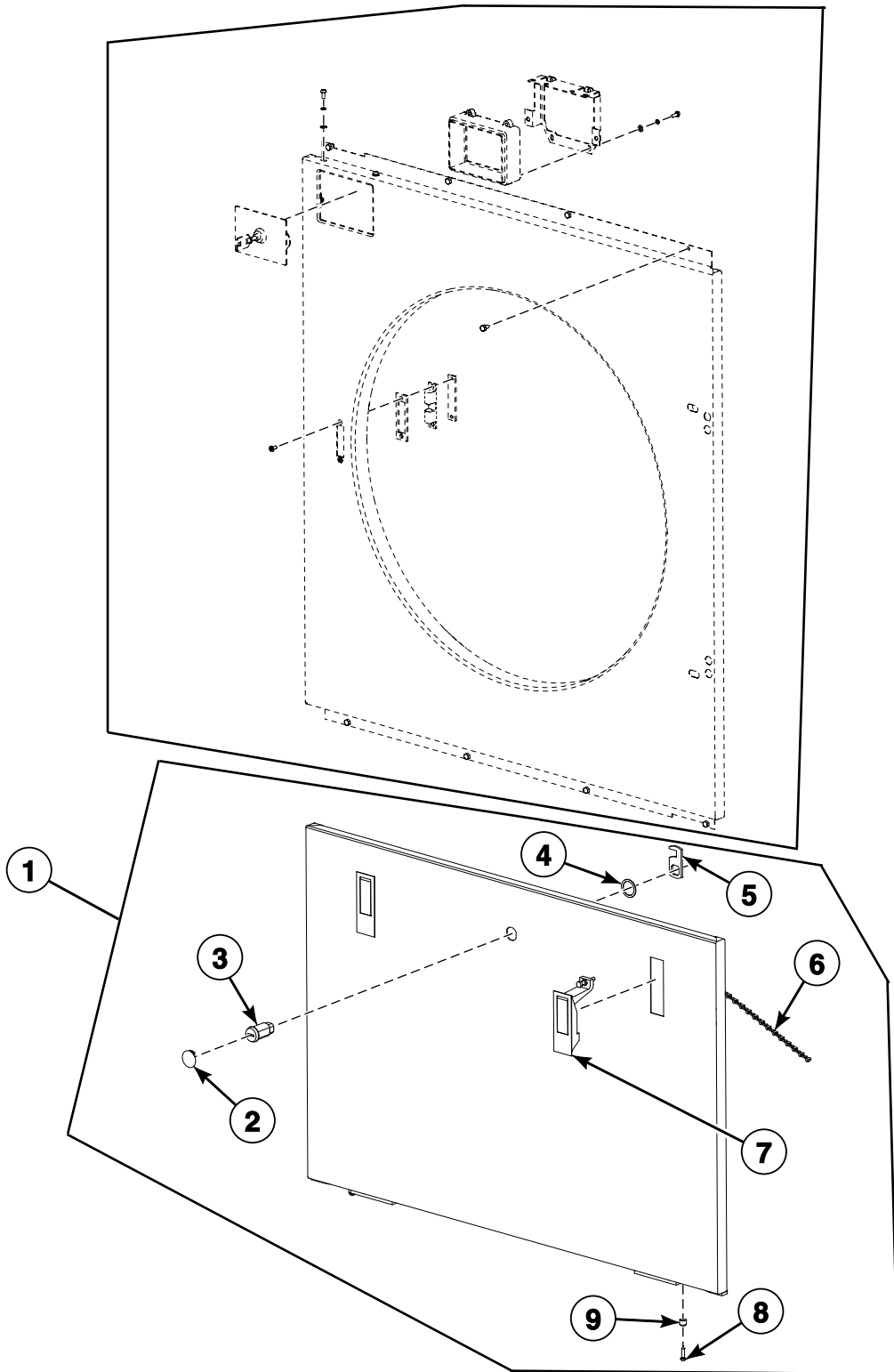


TMB3337P\_D2445

# Front Panel Assembly

REF	PART NO.	DESCRIPTION	COMMENTS
1	SP530621	Front Panel Assembly	U models; I models starting Serial No.16T014342QD; S models starting 1/1/2021; Includes items 2-12; Imitation stainless steel
	SP559831	Front Panel Assembly	I and LS350HP_BASIC models through Serial No.16T014341QD; S models through 12/31/2020; Includes items 2-12; White
	SP555996	Front Panel Assembly	EC, L, N, P and T models; Includes items 2-12; Gray
	SP530620	Front Panel Assembly	Includes items 2-12; Stainless steel
	SP530623	Front Panel Assembly	U models; I models starting Serial No.16T014342QD; S models starting 1/1/2021; Includes items 2-12; Coin; Right door; Imitation stainless steel
	SP559832	Front Panel Assembly	I and LS350HP_BASIC models through Serial No.16T014341QD; S models through 12/31/2020; Includes items 2-12; Coin; Right door; White
	SP555997	Front Panel Assembly	EC, L, N, P and T models; Includes items 2-12; Coin; Right door; Gray
	SP530622	Front Panel Assembly	Includes items 2-12; Coin; Right door; Stainless steel
	SP545543	Front Panel Assembly	U models; I models starting Serial No.16T014342QD; S models starting 1/1/2021; Includes items 2-12; Coin; Left door; Imitation stainless steel
	SP559833	Front Panel Assembly	I and LS350HP_BASIC models through Serial No.16T014341QD; S models through 12/31/2020; Includes items 2-12; Coin; Left door; White
	SP555998	Front Panel Assembly	EC, L, N, P and T models; Includes items 2-12; Coin; Left door; Gray
	SP545542	Front Panel Assembly	Includes items 2-12; Coin; Left door; Stainless steel
2	SP309966240410	Bolt	
3	SP515291	Coin Vault Cover	Coin
4	SP311125000004	Washer	
5	SP311127000004	Washer	
6	SP515075	Bolt	
7	SP501514	Coin Vault Frame	Coin
8	SP524394	Coin Vault Frame Bracket	Coin
9	SP309933240412	Bolt	
10	SP514906	Washer	
11	SP514530	Latch	
12	SP524366	Washer	

# Filter Panel Assembly



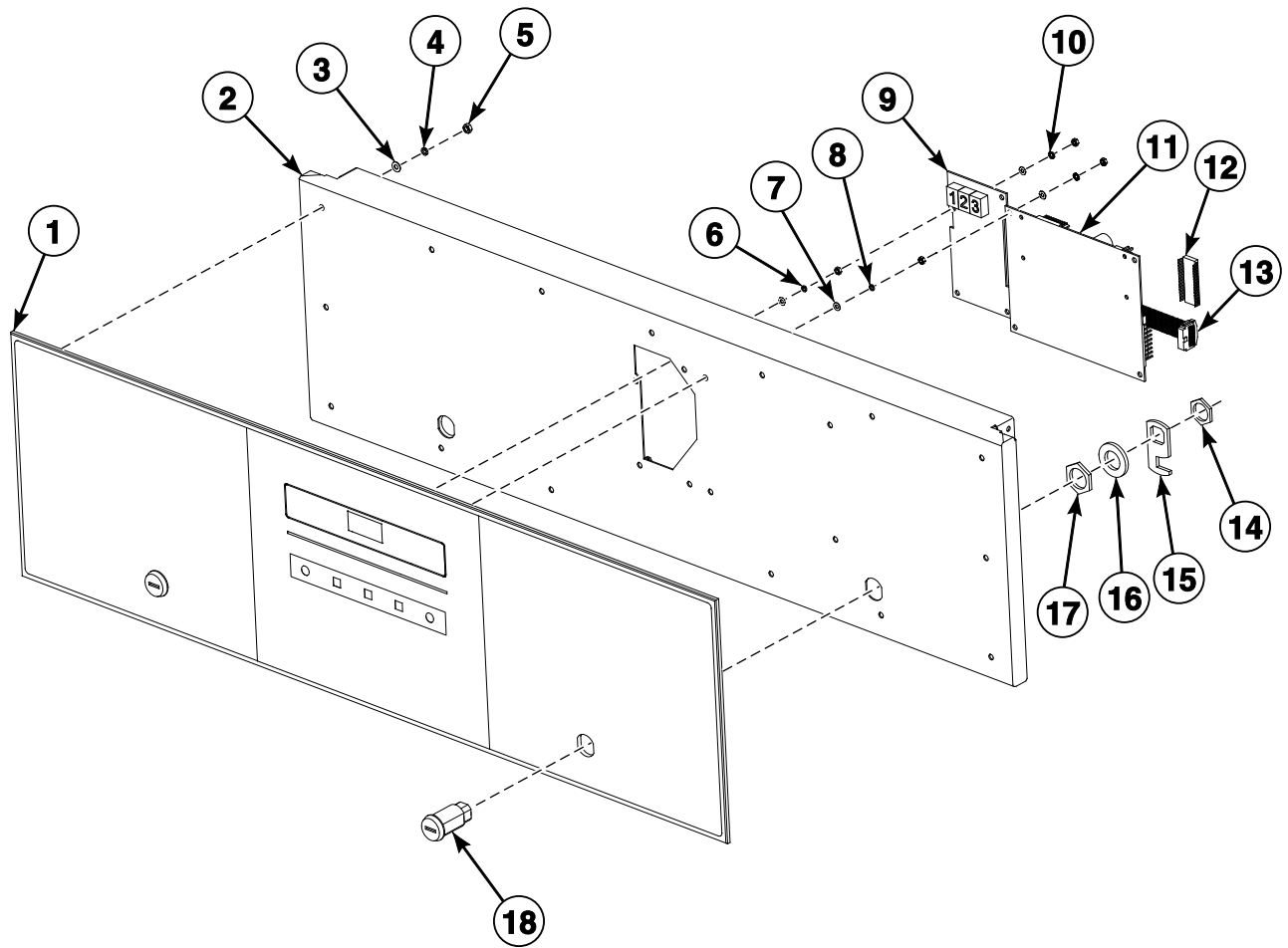
TMB3337PA\_D2445



# Filter Panel Assembly

REF	PART NO.	DESCRIPTION	COMMENTS
1	SP530631	Filter Panel Assembly	U models; I models starting Serial No.16T014342QD; S models starting 1/1/2021; Includes items 2-9; Imitation stainless steel
	SP559827	Filter Panel Assembly	I and LS350HP_BASIC models through Serial No.16T014341QD; S models through 12/31/2020; Includes items 2-9; White
	SP555961	Filter Panel Assembly	EC, L, N, P and T models; Includes items 2-9; Gray
	SP530630	Filter Panel Assembly	Includes items 2-9; Stainless steel
	SP530634	Filter Panel Assembly	U models; I models starting Serial No.16T014342QD; S models starting 1/1/2021; Includes items 2-9; With lock; Imitation stainless steel
	SP559828	Filter Panel Assembly	I and LS350HP_BASIC models through Serial No.16T014341QD; S models through 12/31/2020; Includes items 2-9; With lock; White
	SP555962	Filter Panel Assembly	EC, L, N, P and T models; Includes items 2-9; With lock; Gray
	SP530633	Filter Panel Assembly	Includes items 2-9; With lock; Stainless steel
	2	SP345900025012	Plug
3	SPPRI610000007	Lock	
4	SPPRI522000012	Washer	
5	SPPRI610001007	Lock Hook	
6	SP521266	Chain	
7	SP521221	Lock	
8	SP520407	Screw	
9	SP520408	Pin Insertion	

# Upper Panel for EC Models

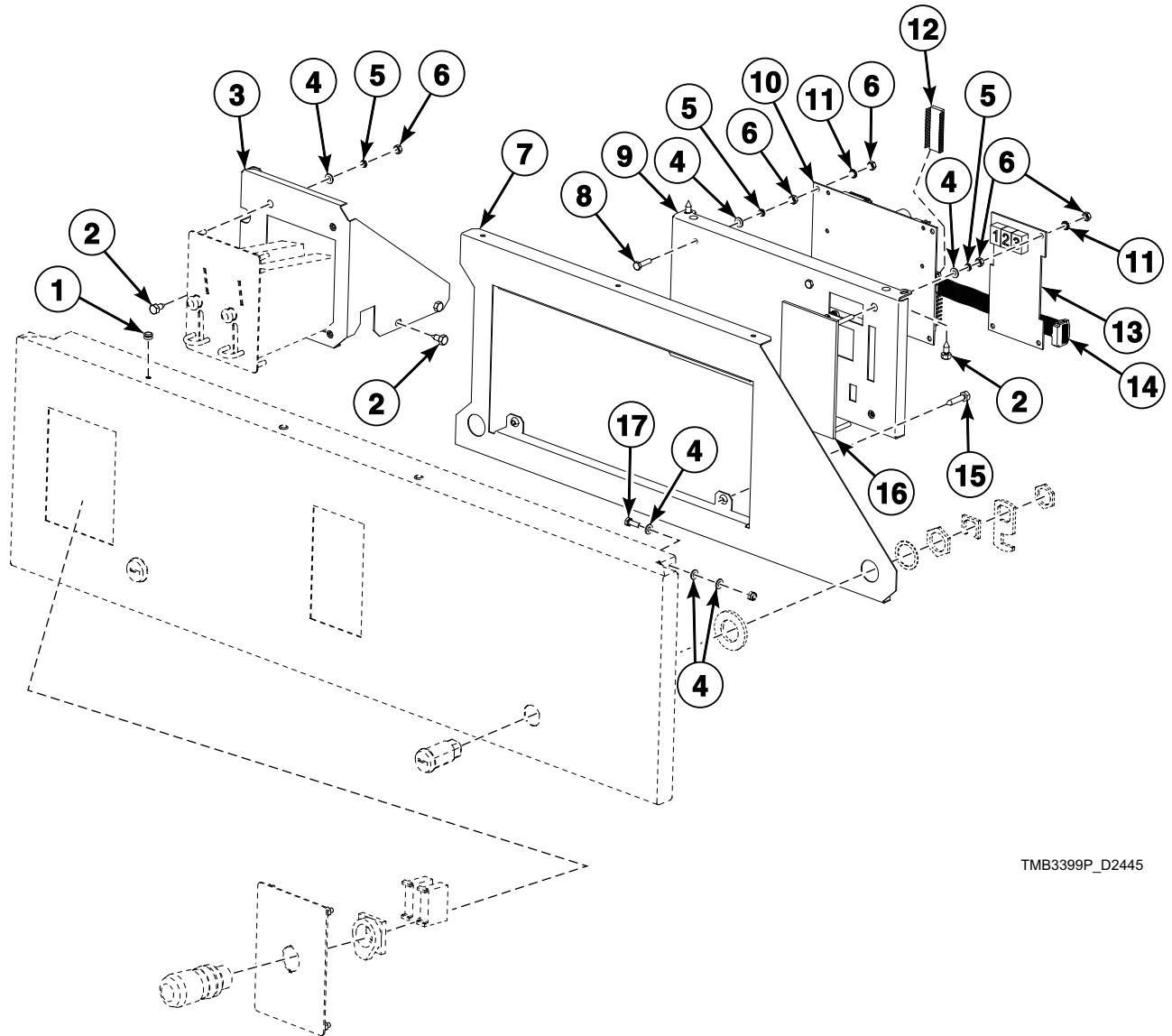


TMB3338P\_D2445

## Upper Panel for EC Models

REF	PART NO.	DESCRIPTION	COMMENTS
	SP560138	Control Panel Assembly	Includes items 1-18; Gray
1	SP560140	Overlay	
2	SP560139	Control Panel	Gray
3	SP311125000004	Washer	
4	SP311127000004	Washer	
5	SP310934000004	Nut	
6	SP310934000003	Nut	
7	SP311125000003	Washer	
8	SP311127240003	Washer	
9	SP553416	Display Board	Blue
10	SP311679800003	Washer	
11	SP529112	Control	
12	SP526001	Memory	Empty without software version
	103460	Memory	Includes SP526001 Memory and software
	545268	Memory	Models with heat pump; Includes SP526001 Memory and software
13	SP521061	Cable	
14	SPPRI610006007	Nut	
15	SPPRI610001007	Lock Hook	
16	SP311125000010	Washer	
17	SPPRI610005007	Nut	
18	SPPRI610000007	Lock	

# Easy Control Components With Coin Meter (Drawing 1 of 2)

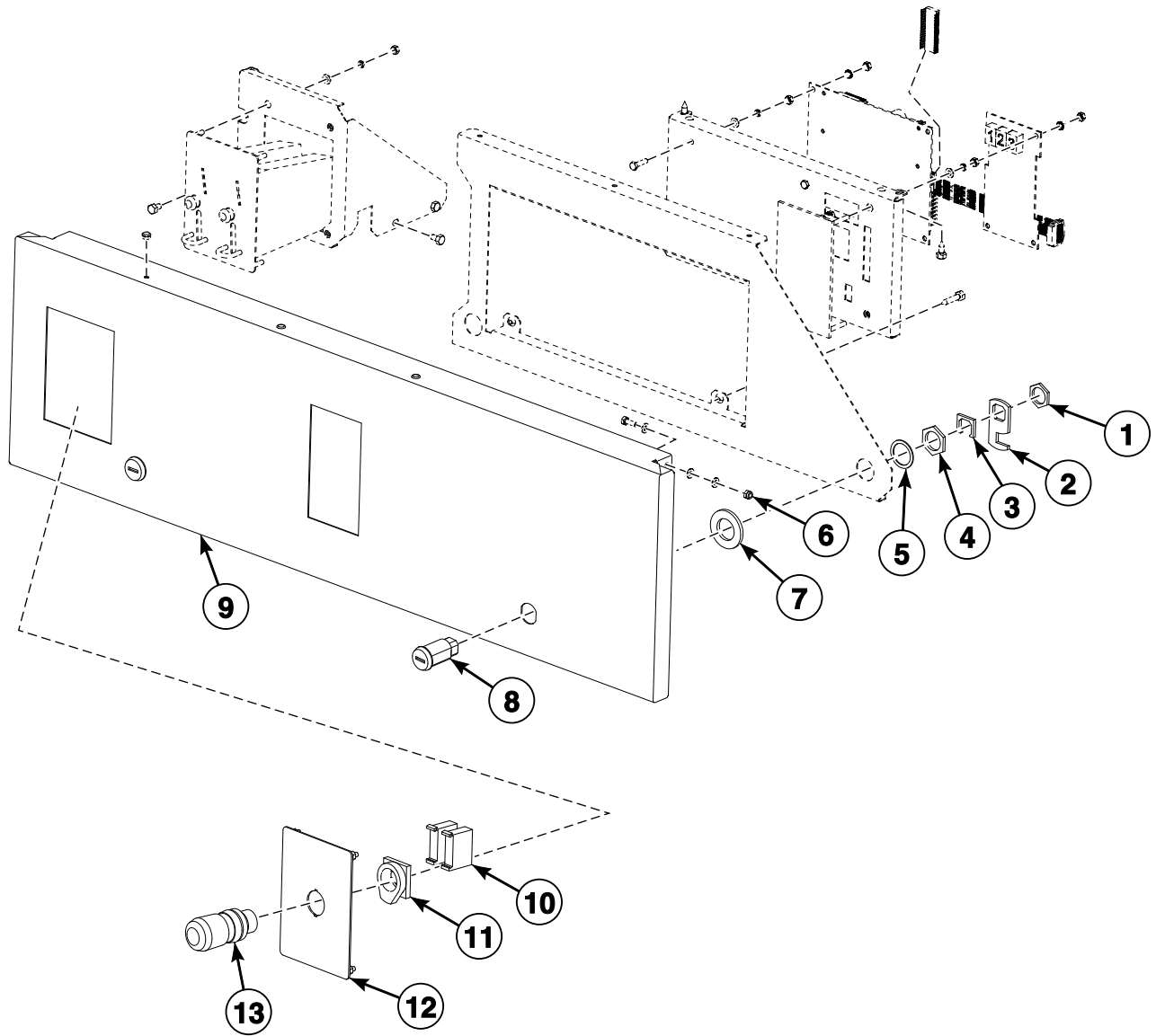


TMB3399P\_D2445

## Easy Control Components With Coin Meter (Drawing 1 of 2)

REF	PART NO.	DESCRIPTION	COMMENTS
	SP556690	Control Panel Assembly	U models; Imitation stainless steel
	SP559889	Control Panel Assembly	U models; Stainless steel
	SP556691	Control Panel Assembly	I models; White; Through Serial No.16T014341QD
	574517	Control Panel Assembly	I models; Imitation stainless steel; Starting Serial No.16T014342QD
	SP559890	Control Panel Assembly	I models; Stainless steel
	575433	Control Panel Assembly	S models; Imitation stainless steel
	SP560717	Control Panel Assembly	S models through 12/31/2020; White
	SP560716	Control Panel Assembly	S models; Stainless steel
	SP556075	Control Panel Assembly	P and T models; L and N models through Serial No.16T014341QD; Gray
	SP556689	Control Panel Assembly	P and T models; L and N models through Serial No.16T014341QD; Stainless steel
	SP556692	Control Panel Assembly	P and T models; Black; Through 12/12/2016
	SP560224	Control Panel Assembly	Model LS350HP; White; Through Serial No.16T014341QD
	574518	Control Panel Assembly	L and N models; Gray; Starting Serial No.16T014342QD
	SP560225	Control Panel Assembly	L and N models; Stainless steel
<b>1</b>	SP313250004075	Rivet	
<b>2</b>	SP100218	Screw	
<b>3</b>	SP556081	Coin Meter Bracket	
<b>4</b>	SP311125000004	Washer	
<b>5</b>	SP311127000004	Washer	
<b>6</b>	SP310934000004	Nut	
<b>7</b>	SP556603	Control Bracket	
<b>8</b>	SP309933000416	Bolt	
<b>9</b>	SP559819	Control Bracket	
<b>10</b>	SP102458	Control	
<b>11</b>	SP311679800004	Washer	
<b>12</b>	SP526001	Memory	Empty without software version
	102460	Memory	Includes SP526001 Memory and software; Models without heat pump
	545264	Memory	Includes SP526001 Memory and software; Models without heat pump; Export France
	545265	Memory	Models with heat pump; Includes SP526001 Memory and software
	545266	Memory	Models with heat pump; Includes SP526001 Memory and software; Export France
	545267	Memory	Models with heat pump and frequency inverter; Includes SP526001 Memory and software
<b>13</b>	SP102459	Display Board	S and U models; Green
	SP560706	Display Board	I models; Red
	SP553416	Display Board	L, N, P and T models; Blue
<b>14</b>	SP521061	Cable	
<b>15</b>	SP520871	Screw	
<b>16</b>	SP559870	Overlay	U models
	SP559900	Overlay	I models
	SP559871	Overlay	L, N and S models
	SP556099	Overlay	P and T models
<b>17</b>	SP309933240412	Bolt	

# Easy Control Components With Coin Meter (Drawing 2 of 2)

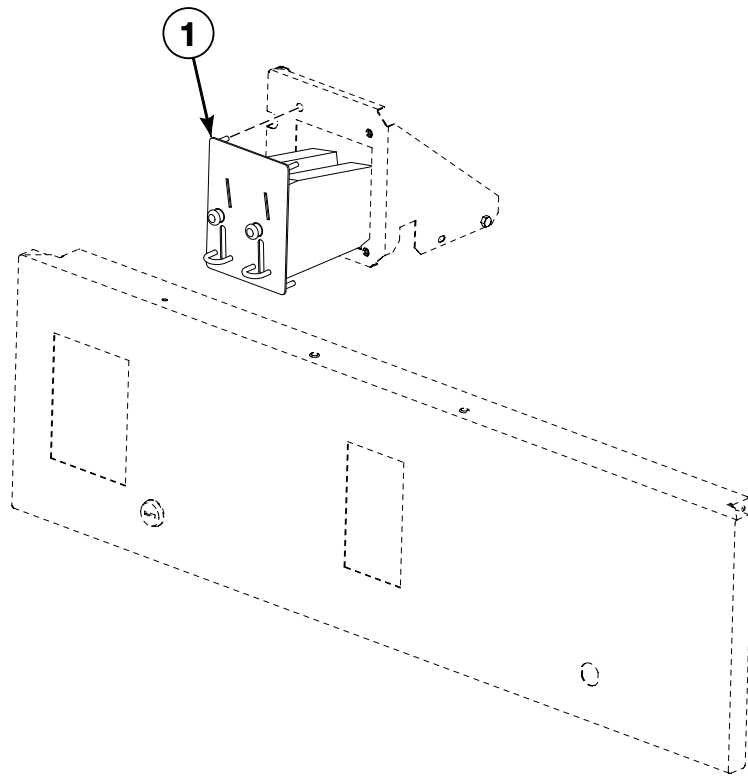


TMB3399PA\_D2445

## Easy Control Components With Coin Meter (Drawing 2 of 2)

REF	PART NO.	DESCRIPTION	COMMENTS
1	SPPRI610006007	Nut	
2	SPPRI610001007	Lock Hook	
3	SP529082	Shim	
4	SPPRI610005007	Nut	
5	SPPRI522000012	Washer	
6	SP514193	Nut	
7	SP311125000020	Washer	
8	SPPRI610000007	Lock	
9	SP556644	Control Panel	Stainless steel
	SP556680	Control Panel	P and T models; Black
	SP556678	Control Panel	U models; I models starting Serial No.16T014342QD; S models starting 1/1/2021; Imitation stainless steel
	SP556679	Control Panel	I, L and N models through Serial No.16T014341QD; S models through 12/31/2020; White
	SP556076	Control Panel	L, N, P and T models; Gray
10	SP528312	Switching Unit	
11	SP528311	Emergency Stop Connector	
12	SP562956	Label	
13	SP528310	Emergency Stop Knob	

# Coin Meter (Drawing 1 of 3)



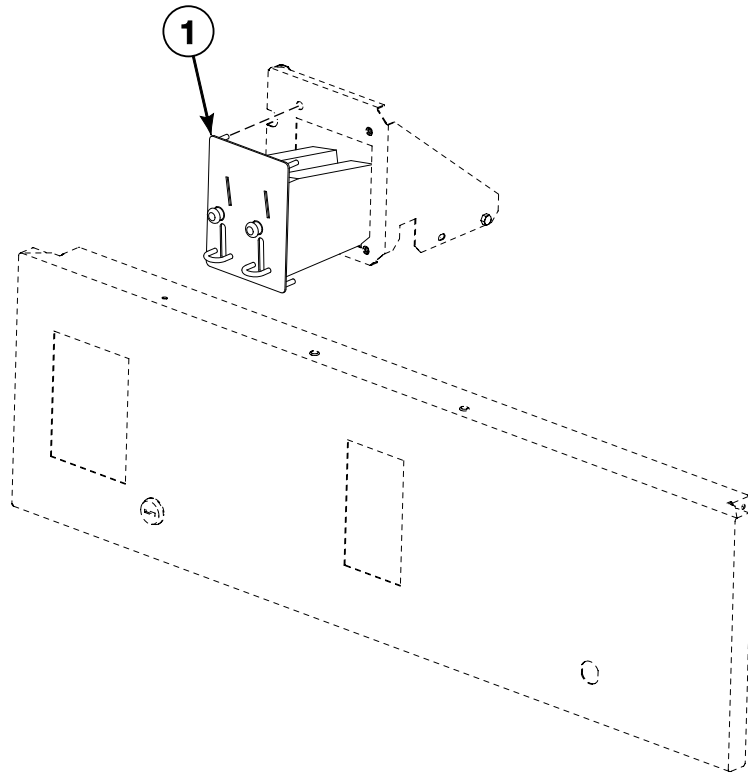
TMB3400P\_D2445



## Coin Meter (Drawing 1 of 3)

REF	PART NO.	DESCRIPTION	COMMENTS
1	SP100642	Coin Meter	1AUD + 20C
	SP100866	Coin Meter	5K jeton
	SP100867	Coin Meter	7K jeton
	SP100868	Coin Meter	10K jeton
	SP100869	Coin Meter	12K jeton
	SP100870	Coin Meter	15K jeton
	SP100871	Coin Meter	D jeton
	SP100887	Coin Meter	1pound + 20PC
	SP100888	Coin Meter	1pound + 50PC
	SP100891	Coin Meter	100YEN
	SP100892	Coin Meter	500YEN + 100YEN
	SP100895	Coin Meter	5DKK
	SP100896	Coin Meter	20DKK
	SP100900	Coin Meter	5ILS + 1ILS
	SP100902	Coin Meter	1EUR
	SP101228	Coin Meter	1 MYR
	SP101535	Coin Meter	0.50EUR
	SP101536	Coin Meter	0.50EUR + 1EUR
	SP101797	Coin Meter	1DKK + 5DKK
	SP101612	Coin Meter	10NOK + 20NOK
	SP101450	Coin Meter	2DKK + 5DKK
	SP101499	Coin Meter	5NOK
	SP101632	Coin Meter	0.20EUR + 0.50EUR
	SP101586	Coin Meter	1NZD + 2NZD
	SP101155	Coin Meter	10NOK
	SP102084	Coin Meter	10NT + 50NT (dolar)
	SP516639	Coin Meter	2DKK
	SP516638	Coin Meter	Lucky Winner jeton
	SP102473	Coin Meter	10 Taiwan dollar
	SP516636	Coin Meter	10CZK + 20CZK
	SP516804	Coin Meter	7K Equipos Par Lavar jeton
	SP516737	Coin Meter	1EUR + 2EUR
	SP516807	Coin Meter	F10.3-W2000-19,2 Groove jeton, jeton diameter 24.8 mm
	SP100898	Coin Meter	500WON
	SP101437	Coin Meter	0.25USD
	SP516875	Coin Meter	1AUD + 2AUD
	SP102371	Coin Meter	5DKK + 10DKK
	SP102407	Coin Meter	0.2EUR
	SP102452	Coin Meter	1EUR + 0.2 EUR
	SP102546	Coin Meter	SUN WASH jeton
	SP516632	Coin Meter	2DKK + 10DKK
	SP516921	Coin Meter	Unibel Tech 5K jeton
	SP100893	Coin Meter	1AUD
	SP516950	Coin Meter	1CHF
	SP516967	Coin Meter	5 NOK +10NOK
	SP516969	Coin Meter	1 TopMos jeton + 1BGN
	516976	Coin Meter	50 penny
	SP516977	Coin Meter	1 Vendo jeton
	SP516980	Coin Meter	2EUR
	SP516984	Coin Meter	0.05EUR
	SP516991	Coin Meter	1 jeton Token

## Coin Meter (Drawing 2 of 3)

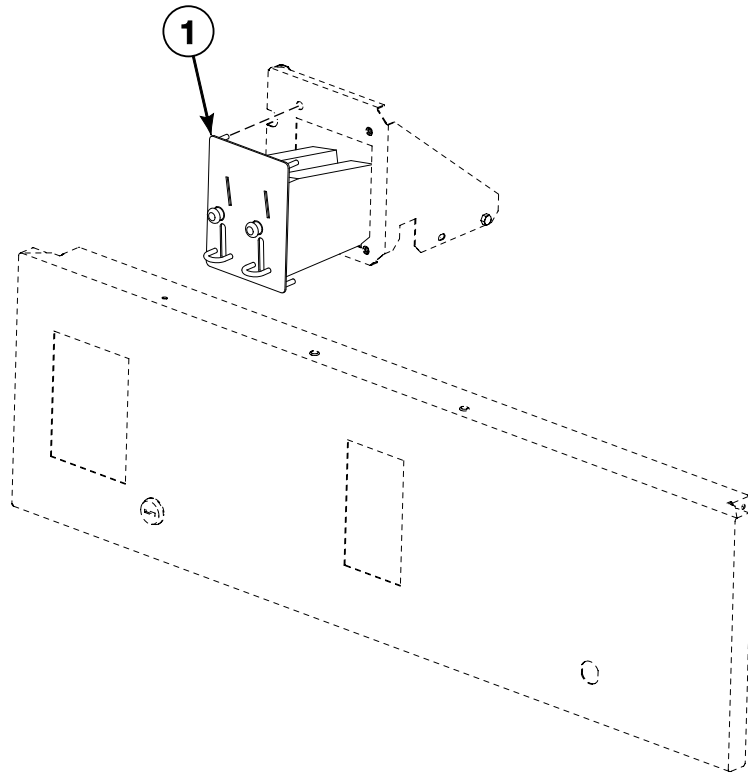


TMB3400P\_D2445

## Coin Meter (Drawing 2 of 3)

REF	PART NO.	DESCRIPTION	COMMENTS
1	SP516994	Coin Meter	20 pence
	SP516999	Coin Meter	Jetons 7K + D
	SP529106	Coin Meter	1 Wascator jeton diamater 22.2 mm
	SP529108	Coin Meter	1 Unibel jeton diamater 18.55 mm
	SP529114	Coin Meter	2EUR + 0.50EUR
	529115	Coin Meter	50HUF + 100HUF
	529119	Coin Meter	1 jeton, without coining, jeton diamater 20 mm
	SP529124	Coin Meter	1 Volund jeton, jeton diamater 22.5 mm
	534187	Coin Meter	1 Wascator jeton diamater 19 mm
	529113	Coin Meter	1 Miele jeton
	SP529110	Coin Meter	1 jeton without coining, jeton diamater 26 mm
	534289	Coin Meter	Three-groove jeton, jeton diamater 27 mm
	534297	Coin Meter	Three-groove jeton, jeton diamater 25 mm
	537775	Coin Meter	D Jeton + 2EUR
	537776	Coin Meter	7K Jeton + 2EUR
	SP537778	Coin Meter	Milano Italy Jeton
	SP537779	Coin Meter	5PLN + 1 PLN
	SP537787	Coin Meter	Two-groove jeton, jeton diamater 27 mm
	SP537788	Coin Meter	A.S.A.R.D. jeton, jeton diamater 25.8 mm
	SP537825	Coin Meter	20CZK
	SP537828	Coin Meter	Electrolux ASARD jeton, jeton diamater 22.3 mm
	SP537859	Coin Meter	Laundromatic Belgium jeton, jeton diamater 22.3 mm
	SP537829	Coin Meter	Carsen two-groove jeton, jeton diamater 22 mm
	SP537913	Coin Meter	Asard Wascator jeton, jeton diamater 19.9 mm
	SP552901	Coin Meter	Eagle jeton, jeton diamater 25.98 mm
	552951	Coin Meter	1SGD
	SP552952	Coin Meter	200HUF
	SP552998	Coin Meter	1TRY
	SP553007	Coin Meter	0.5 MYR
	553008	Coin Meter	Butzi wash jeton
	SP553152	Coin Meter	EUROTOKEN 10 (DETON WASH)
	SP556109	Coin Meter	1SGD (new Singapore dollar)
	556113	Coin Meter	Flash wash jeton
	556114	Coin Meter	2PLN
	555667	Coin Meter	50 + 50, Malaysian cents
	SP556153	Coin Meter	Symbol M jeton, jeton ROMAC
	SP559709	Coin Meter	1 NOK + 5 NOK
	560746	Coin Meter	Dobi Ekspres jeton
	560095	Coin Meter	5k IPSO jeton
	SP560096	Coin Meter	7k IPSO jeton
	560097	Coin Meter	10k IPSO jeton
	560098	Coin Meter	12k IPSO jeton
	560099	Coin Meter	15k IPSO jeton
	SP561379	Coin Meter	10 Morrocan Dirham
	SP560793	Coin Meter	AAW Lav-o-seul jeton
	SP564823	Coin Meter	EMP500.12v5 for new SGD + new MYR + teach mode
	SP553140	Coin Meter	20 CZK + 50 CZK

# Coin Meter (Drawing 3 of 3)

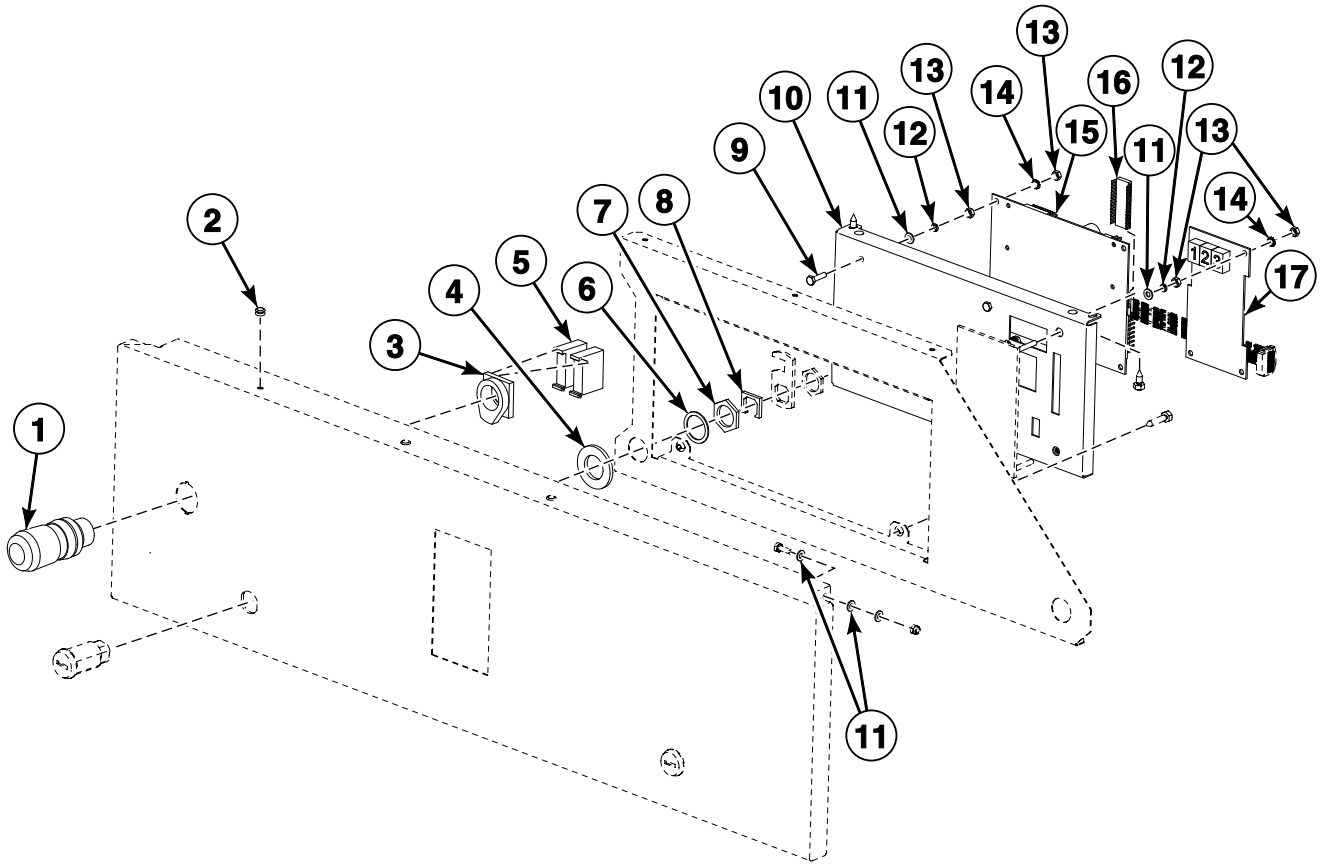


TMB3400P\_D2445

## Coin Meter (Drawing 3 of 3)

REF	PART NO.	DESCRIPTION	COMMENTS
1	516848	Coin Meter	Washmatic jeton
	516908	Coin Meter	Unibel Tech one-groove jeton
	516909	Coin Meter	Unibel Tech two-groove jeton
	516913	Coin Meter	Unibel Tech jeton for FS07
	516914	Coin Meter	Unibel Tech jeton for FS10
	529159	Coin Meter	1 Wash Jet. 20 jeton
	569920	Coin Meter	0.25USD, 1USD, 0.25CAD, 1CAD, 2CAD; Electronic EMPv7
	569923	Coin Meter	0.2GBP, 0.5GBP, 1GBP, 2GBP, 0.1EUR, 0.2EUR, 0.5EUR, 1EUR, 2EUR; Electronic EMPv7
	569926	Coin Meter	1DKK, 2DKK, 5DKK, 10DKK, 20DKK, 1NOK, 5NOK, 10NOK, 20NOK, 0.2EUR, 0.5EUR, 1EUR, 2EUR; Electronic EMPv7
	569929	Coin Meter	0.2AUD, 1AUD, 2AUD, 0.2NZD, 1NZD, 2NZD, 5HKD, 10KHD, 500KRW; Electronic EMPv7
	569932	Coin Meter	1CNY, 0.1MYR, 0.2MYR, 0.5MYR; Electronic EMPv7
	569935	Coin Meter	0.1EUR, 0.2EUR, 0.5EUR, 1EUR, 2EUR; Electronic EMPv7
	569938	Coin Meter	1PHP, 5PHP, 10PHP; Electronic EMPv7
	569941	Coin Meter	0.1SGD, 0.2SGD, 0.5SGD, 1SGD; Electronic EMPv7
	569944	Coin Meter	0.1MYR, 0.2MYR, 0.5MYR, 0.5SGD, 1SGD; Electronic EMPv7
	569947	Coin Meter	1HRK, 2HRK, 5HRK; Electronic EMPv7
	569950	Coin Meter	5CZK, 10CZK, 20CZK, 50CZK; Electronic EMPv7
	569953	Coin Meter	0.5MAD, 1MAD, 2MAD, 5MAD, 10MAD; Electronic EMPv7
	569956	Coin Meter	1PLN, 2PLN, 5PLN, 0.1EUR, 0.2EUR, 0.5EUR, 1EUR, 2EUR, 10ISK, 50ISK, 100ISK; Electronic EMPv7
	569963	Coin Meter	0.1EUR, 0.2EUR, 0.5EUR, 1EUR, 2EUR, jeton IPSO 5K
	569966	Coin Meter	0.2GBP, 0.5GBP, 1GBP, 2GBP, 0.1EUR, 0.2EUR, 0.5EUR, 1EUR, 2EUR, jeton "KWL Aqua", jeton "Gettone"; Electronic EMPv7
	569969	Coin Meter	0.1EUR, 0.2EUR, 0.5EUR, 1EUR, 2EUR, jeton G-FIS "LAVOIR BIANCA"; Electronic EMPv7
	569972	Coin Meter	0.5MYR, jeton "DOBI PAPA"; Electronic EMPv7
	569975	Coin Meter	1AUD, 2AUD, jeton "No Cash Value"; Electronic EMPv7
	569981	Coin Meter	0.5MYR, jeton "BUBBLELAB"; Electronic EMPv7
	569986	Coin Meter	HAUCK 2018 jeton
	572303	Coin Meter	Jetton 118-16
	572306	Coin Meter	1ILS, 2ILS, 5ILS, 10ILS; Electronic EMPv7
	572309	Coin Meter	1ZAR, 2ZAR, 5 ZAR; Electronic EMPv7
	572312	Coin Meter	5RUB, 10RUB; Electronic EMPv7
	572315	Coin Meter	50CLP, 100CLP, 500CLP; Electronic EMPv7
	572319	Coin Meter	100JPY, 500JPY, 10TWD, 50TWD; Electronic EMPv7
	572322	Coin Meter	0.5GEL, 1GEL, 2GEL; Electronic EMPv7
	572325	Coin Meter	0.1EUR, 0.2 EUR, 0.5 EUR, 1EUR, 2EUR; Electronic EMPv7
	572337	Coin Meter	Jeton 118-1
	572338	Coin Meter	Jeton 118-5
	572340	Coin Meter	Gettone Jetton (26mm diameter x 1.7mm)
	572344	Coin Meter	TOKEN WH121
	572360	Coin Meter	1THB, 2THB, 5THB, 10THB; Electronic EMPv7
	572385	Coin Meter	0.2CHF, 0.5CHF, 1CHF, 2CHF; Electronic EMPv7
	572390	Coin Meter	0.25CAD
	579810	Coin Meter	1AED, Jeton 118-1; Electronic EMPv7
	579814	Coin Meter	20HUF, 50HUF, 100HUF, 200HUF; Electronic EMPv7
	579820	Coin Meter	2PLN + 5PLN; Electronic EMPv7

# Easy Control Components Without Coin Meter (Drawing 1 of 2)

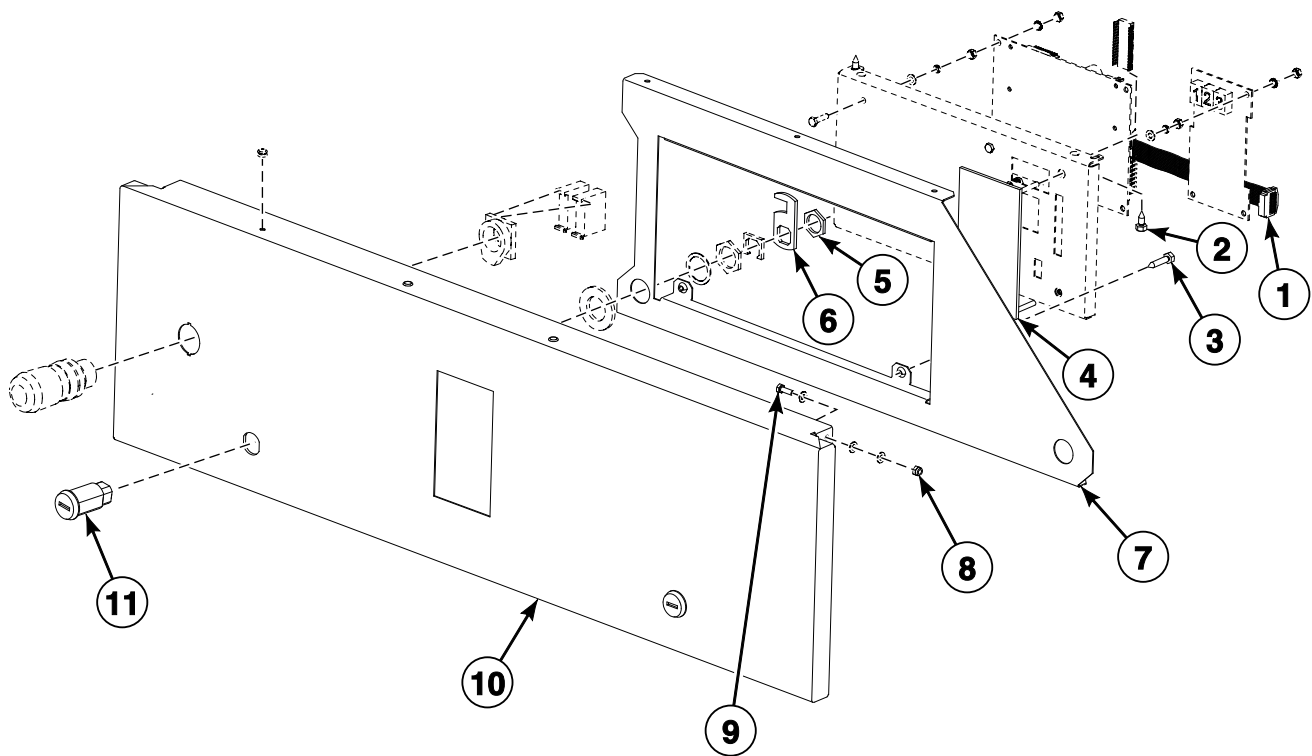


TMB3341P\_D2445

# Easy Control Components Without Coin Meter (Drawing 1 of 2)

REF	PART NO.	DESCRIPTION	COMMENTS
	SP556688	Control Panel Assembly	U models; Imitation stainless steel
	SP559887	Control Panel Assembly	U models; Stainless steel
	SP556687	Control Panel Assembly	I models; White; Through Serial No.16T014341QD
	574515	Control Panel Assembly	I models; Imitation stainless steel; Starting Serial No.16T014342QD
	SP559888	Control Panel Assembly	I models; Stainless steel
	575432	Control Panel Assembly	S models; Imitation stainless steel
	SP560715	Control Panel Assembly	S models through 12/31/2020; White
	SP560714	Control Panel Assembly	S models; Stainless steel
	SP556078	Control Panel Assembly	P and T models; L and N models through Serial No.16T014341QD; Gray
	SP556685	Control Panel Assembly	P and T models; L and N models through Serial No.16T014341QD; Stainless steel
	SP556686	Control Panel Assembly	P and T models; Black
	SP560222	Control Panel Assembly	Model LS350HP_BASIC; White; Through Serial No.16T014341QD
	574516	Control Panel Assembly	L and N models; Gray; Starting Serial No.16T014342QD
	SP560223	Control Panel Assembly	L and N models; Stainless steel
<b>1</b>	SP528310	Emergency Stop Knob	
<b>2</b>	SP313250004075	Rivet	
<b>3</b>	SP528311	Emergency Stop Connector	
<b>4</b>	SP311125000020	Washer	
<b>5</b>	SP528312	Switching Unit	
<b>6</b>	SPPRI522000012	Washer	
<b>7</b>	SPPRI610005007	Nut	
<b>8</b>	SP529082	Shim	
<b>9</b>	SP309933000416	Bolt	
<b>10</b>	SP559819	Control Bracket	
<b>11</b>	SP311125000004	Washer	
<b>12</b>	SP311127000004	Washer	
<b>13</b>	SP310934000004	Nut	
<b>14</b>	SP311679800004	Washer	
<b>15</b>	SP102458	Control	
<b>16</b>	SP526001	Memory	Empty without software version
	102460	Memory	Models without heat pump; Includes SP526001 Memory and software
	545264	Memory	Models without heat pump; Includes SP526001 Memory and software; Export France
	545265	Memory	Models with heat pump; Includes SP526001 Memory and software
	545266	Memory	Models with heat pump; Includes SP526001 Memory and software; Export France
	545267	Memory	Models with heat pump and frequency inverter; Includes SP526001 Memory and software
<b>17</b>	SP102459	Display Board	S and U models; Green
	SP560706	Display Board	I models; Red
	SP553416	Display Board	L, N, P and T models; Blue

# Easy Control Components Without Coin Meter (Drawing 2 of 2)



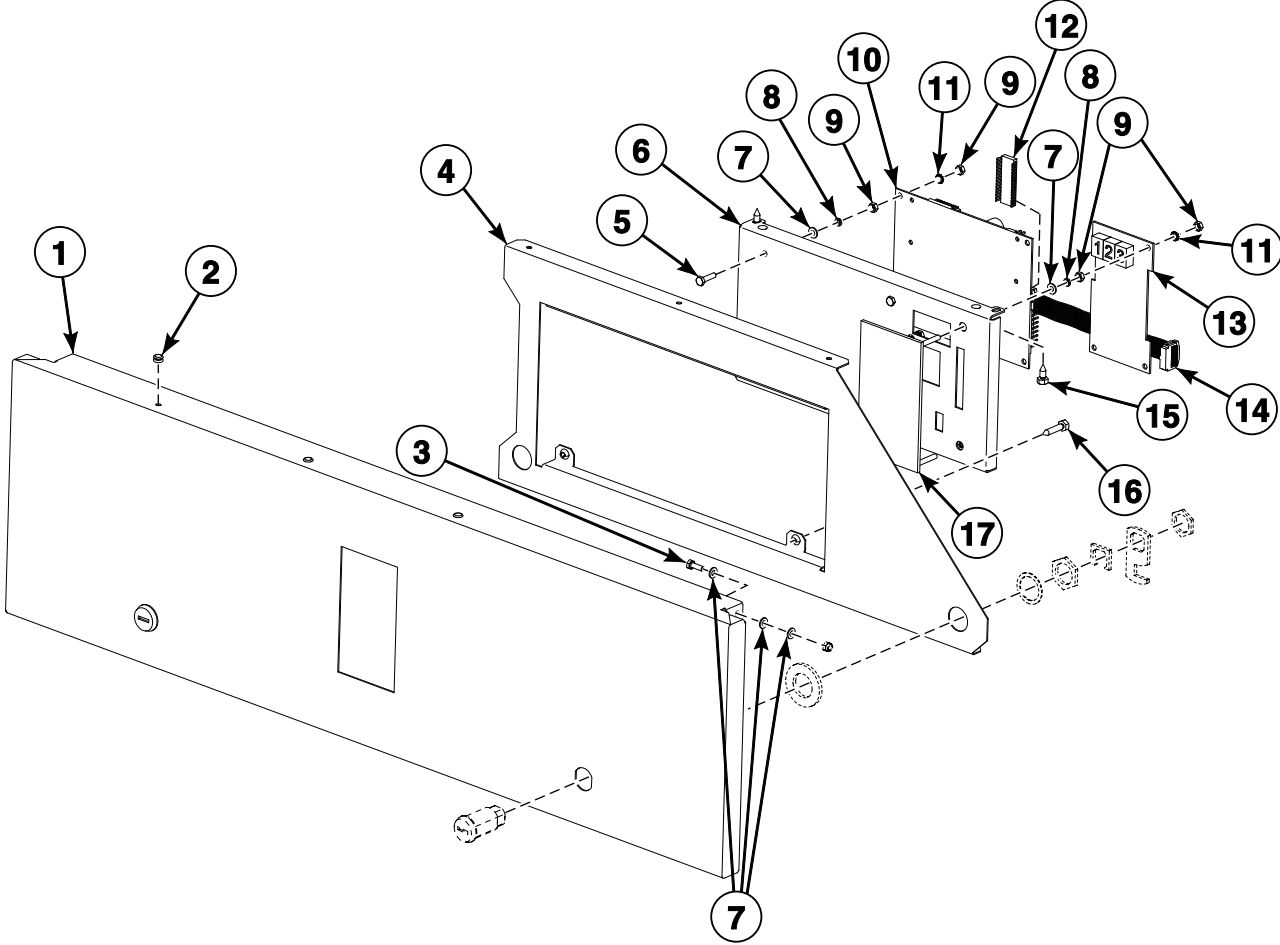
TMB3341PA\_D2445



## Easy Control Components Without Coin Meter (Drawing 2 of 2)

REF	PART NO.	DESCRIPTION	COMMENTS
1	SP521061	Cable	
2	SP100218	Screw	
3	SP520871	Screw	
4	SP559870	Overlay	U models
	SP559900	Overlay	I models
	SP559871	Overlay	L, N and S models
	SP556099	Overlay	P and T models
5	SPPRI610006007	Nut	
6	SPPRI610001007	Lock Hook	
7	SP556603	Control Bracket	
8	SP514193	Nut	
9	SP309933240412	Bolt	
10	SP556677	Control Panel	U models; I models starting Serial No.16T014342QD; S models starting 1/1/2021; Imitation stainless steel
	SP556676	Control Panel	I, L and N models through Serial No.16T014341QD; S models through 12/31/2020; White
	SP556077	Control Panel	L, N, P and T models; Gray
	SP556675	Control Panel	P and T models; Black
	SP556674	Control Panel	Stainless steel
11	SPPRI610000007	Lock	

# Easy Control with External Payment System (Drawing 1 of 2)

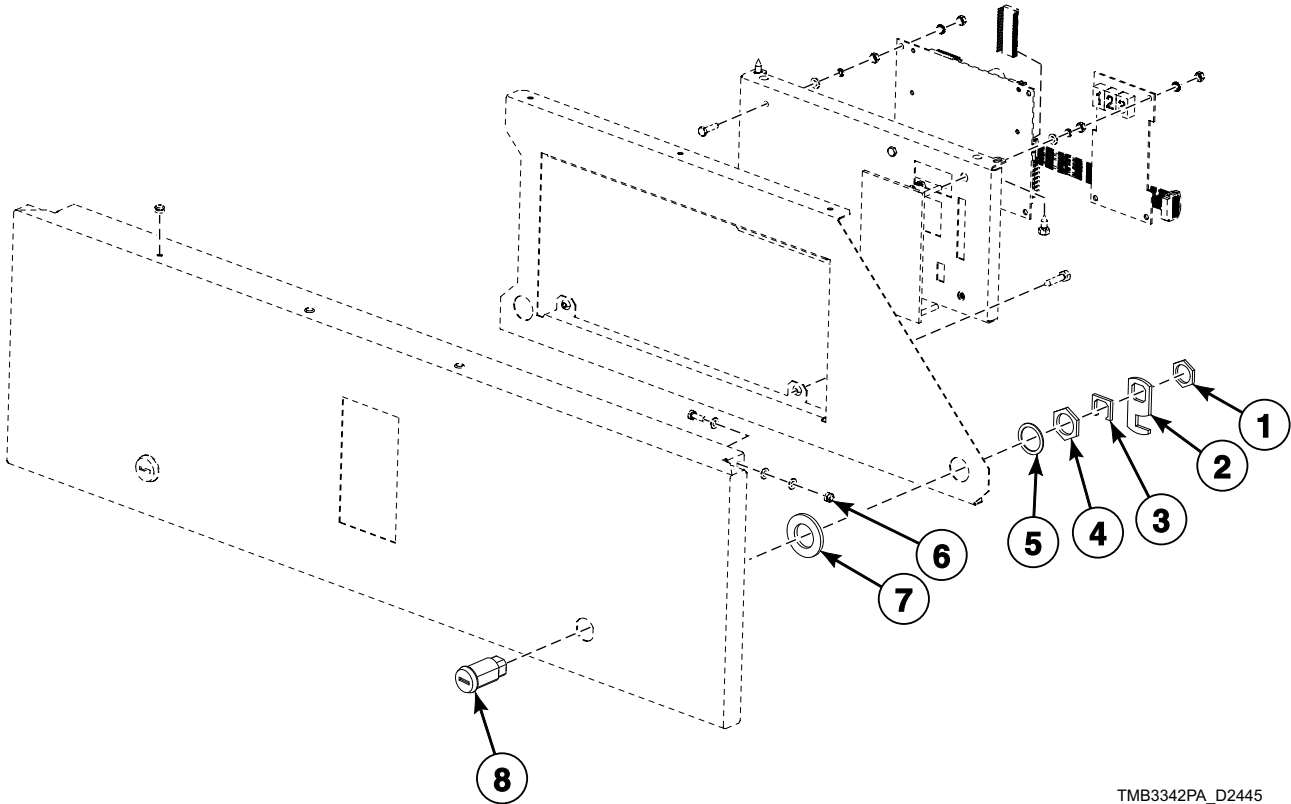


TMB3342P\_D2445

## Easy Control with External Payment System (Drawing 1 of 2)

REF	PART NO.	DESCRIPTION	COMMENTS
	SP556693	Control Panel Assembly	U models; Imitation stainless steel
	SP559891	Control Panel Assembly	U models; Stainless steel
	SP556696	Control Panel Assembly	I models; White; Through Serial No.16T014341QD
	574519	Control Panel Assembly	I models; Imitation stainless steel; Starting Serial No.16T014342QD
	SP559892	Control Panel Assembly	I models; Stainless steel
	575434	Control Panel Assembly	S models; Imitation stainless steel
	SP560719	Control Panel Assembly	S models; White; Through 12/31/2020
	SP560718	Control Panel Assembly	S models; Stainless steel
	SP556695	Control Panel Assembly	P and T models; L and N models through Serial No.16T014341QD; Gray
	SP556694	Control Panel Assembly	P and T models; L and N models through Serial No.16T014341QD; Stainless steel
	SP556646	Control Panel Assembly	P and T models; Black; Through 12/12/2016
	SP559893	Control Panel Assembly	P and T models; Black
	SP560226	Control Panel Assembly	Model LS350HP_BASIC; White; Through S.N.16T014341QD
	574520	Control Panel Assembly	L and N models; Gray; Starting Serial No.16T014342QD
	SP560227	Control Panel Assembly	L and N models; Stainless steel
<b>1</b>	SP556681	Control Panel	U models; I models starting Serial No.16T014342QD; S models starting 1/1/2021; Imitation stainless steel
	SP556684	Control Panel	I, L and N models through Serial No.16T014341QD; S models through 12/31/2020; White
	SP556683	Control Panel	L, N, P and T models; Gray
	SP556645	Control Panel	P and T models; Black
	SP556682	Control Panel	Stainless steel
<b>2</b>	SP313250004075	Rivet	
<b>3</b>	SP309933240412	Bolt	
<b>4</b>	SP556603	Control Bracket	
<b>5</b>	SP309933000416	Bolt	
<b>6</b>	SP559819	Control Bracket	
<b>7</b>	SP311125000004	Washer	
<b>8</b>	SP311127000004	Washer	
<b>9</b>	SP310934000004	Nut	
<b>10</b>	SP102458	Control	
<b>11</b>	SP311679800004	Washer	
<b>12</b>	SP526001	Memory	Empty without software version
	102460	Memory	Models without heat pump; Includes SP526001 Memory and software
	545264	Memory	Models without heat pump; Includes SP526001 Memory and software; Export France
	545265	Memory	Models with heat pump; Includes SP526001 Memory and software
	545266	Memory	Models with heat pump; Includes SP526001 Memory and software; Export France
	545267	Memory	Models with heat pump and frequency inverter; Includes SP526001 Memory and software
<b>13</b>	SP102459	Display Board	S and U models; Green
	SP560706	Display Board	I models; Red
	SP553416	Display Board	L, N, P and T models; Blue
<b>14</b>	SP521061	Cable	
<b>15</b>	SP100218	Screw	
<b>16</b>	SP520871	Screw	
<b>17</b>	SP559870	Overlay	U models
	SP559900	Overlay	I models
	SP559871	Overlay	L, N and S models
	SP556099	Overlay	P and T models except T16E and T16VP
	SP553415	Overlay	Model T16E and T16VP

# Easy Control with External Payment System (Drawing 2 of 2)

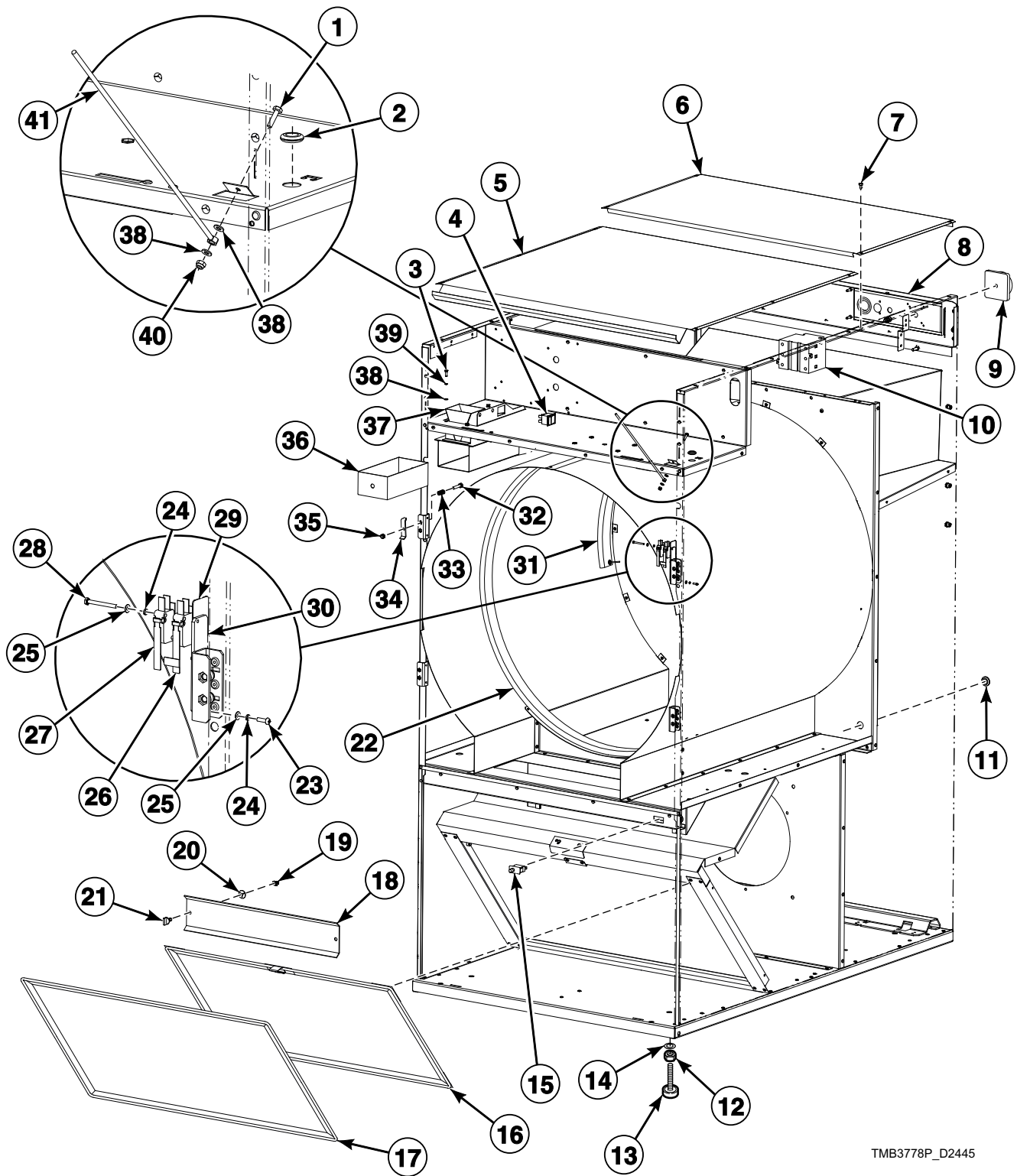


TMB3342PA\_D2445

# Easy Control with External Payment System (Drawing 2 of 2)

REF	PART NO.	DESCRIPTION	COMMENTS
1	SPPRI610006007	Nut	
2	SPPRI610001007	Lock Hook	
3	SP529082	Shim	
4	SPPRI610005007	Nut	
5	SPPRI522000012	Washer	
6	SP514193	Nut	
7	SP311125000020	Washer	
8	SPPRI610000007	Lock	

# Cabinet - Heat Pump Models

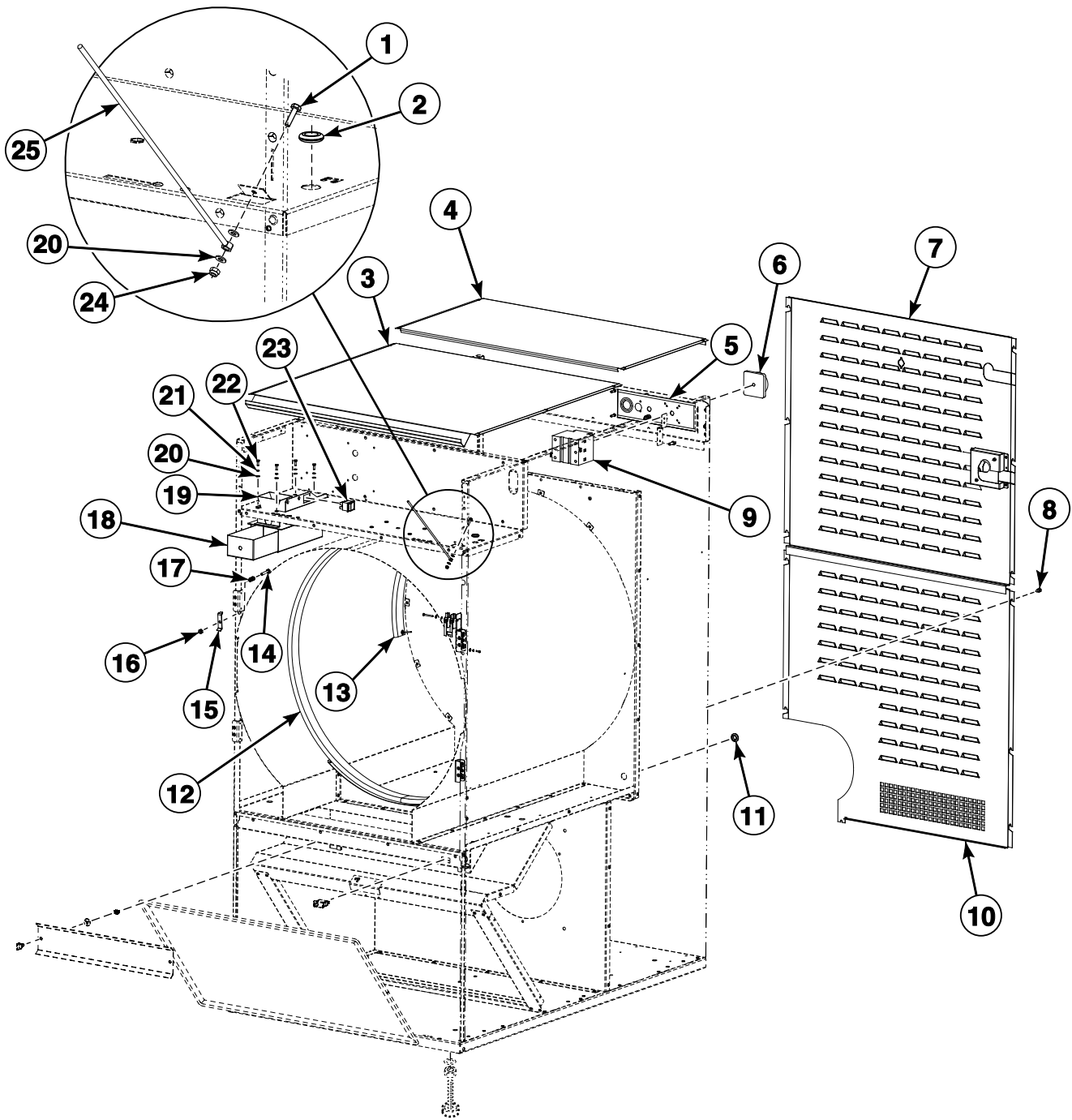


TMB3778P\_D2445

## Cabinet - Heat Pump Models

REF	PART NO.	DESCRIPTION	COMMENTS
	SP560162	Filter Assembly	Includes items 16 and 17
	SP520404	Door Switch Assembly	Includes items 23-30
	573370	Coin Vault Assembly	Includes items 3 and 36, 37, 38, 39
1	SP309933000416	Bolt	
2	SP273121011001	Bushing	
3	SP309933240412	Bolt	
4	SP100388	Switch	
5	SP530795	Upper Cover	
	SP557133	Upper Cover	Single phase
6	SP530796	Access Cover	
	SP557136	Access Cover	Single phase
7	SP100218	Screw	
8	SP520891	Switch Panel	
9	SPPRI404000095	Main Switch Knob	
10	SPPRI404000097	Main Switch	
11	SP273121013002	Bushing	
12	SP310934000010	Nut	
13	SPPRI504000001	Adjustable Foot	
14	SP311125000010	Washer	
15	SP506045	Microswitch	
16	SP560160	Fine Filter	
17	SP512324	Filter	
18	SP545533	Exhaust Cover	
19	SP545530	Nut	
20	SP545531	Washer	
21	SP545529	Bolt	
22	SP518505	Front Seal	
23	SP518719	Bolt	
24	SP311127000003	Washer	
25	SP311125000003	Washer	
26	SP517484	Microswitch	
27	SPPRI610011077	Microswitch	
28	SP516693	Bolt	
29	SP101154	Isolation Plate	
30	SP520403	Door Switch Holder	
31	SP527801	Back Seal	Models through Serial No.16T018656UH
	579537	Back Seal	Models starting Serial No.16T018657UH
32	SP309933000630	Bolt	
33	SPPRI611000009	Spring	
34	SP534645	Lock Hook	
35	SP310985000006	Nut	
36	SP321848140028	Coin Vault	
37	573350	Coin Vault	
38	SP311125000004	Washer	
39	SP311127000004	Washer	
40	SP514193	Nut	
41	SP517486	Rod	

# Cabinet - Gas, Steam and Electric Models (Drawing 1 of 2)



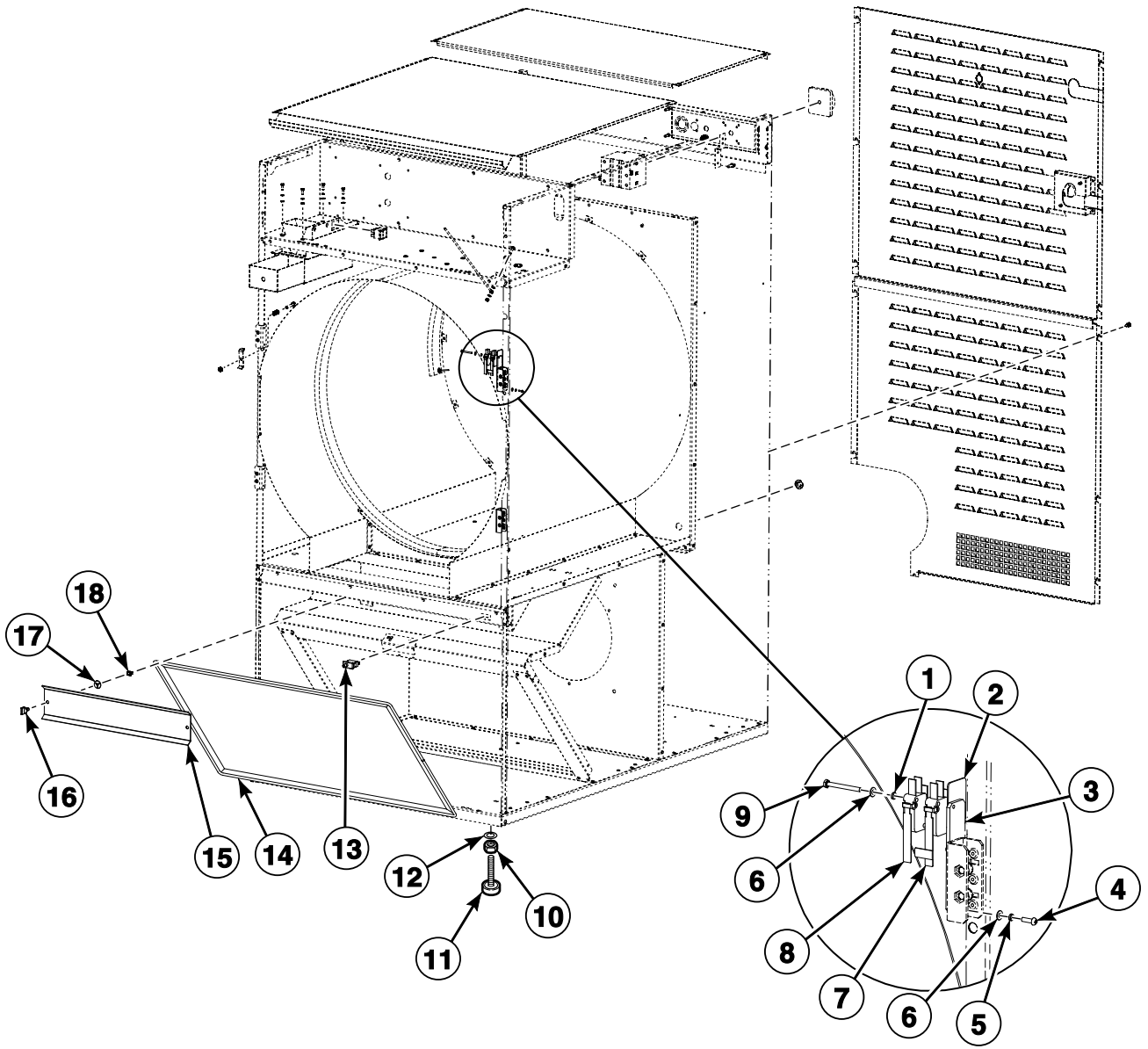
TMB3780P\_D2445



## Cabinet - Gas, Steam and Electric Models (Drawing 1 of 2)

REF	PART NO.	DESCRIPTION	COMMENTS
	573370	Coin Vault Assembly	Includes items 18 and 19
1	SP309933000416	Bolt	
2	SP273121011001	Bushing	
3	SP530795	Upper Cover	
4	SP530796	Access Cover	
5	SP520890	Switch Panel	
6	SPPRI404000095	Main Switch Knob	
7	SP530798	Upper Rear Cover	Electric models
	569441	Upper Rear Cover	Gas models; Also use 569448 Cover
8	SP100218	Screw	
9	SPPRI404000097	Main Switch	Gas and steam models
	SPPRI404000098	Main Switch	Electric models; 400-440V, 12kW or 18kW
	SPPRI404000099	Main Switch	Electric models; 208-240V, 18 kW; 400-440V, 24kW
	SPPRI404000100	Main Switch	Electric models; 208-240V; 24 kW
10	SP530799	Lower Rear Cover	
11	SP273121013002	Bushing	
12	SP518505	Front Seal	
13	SP527801	Back Seal	Models through Serial No.16T018656UH
	579537	Back Seal	Models starting Serial No.16T018657UH
14	SP309933000630	Bolt	
15	SP534645	Lock Hook	
16	SP310985000006	Nut	
17	SPPRI611000009	Spring	
18	SP321848140028	Coin Vault	
19	573350	Coin Vault	
20	SP311125000004	Washer	
21	SP311127000004	Washer	
22	SP309933240412	Bolt	
23	SP100388	Switch	
24	SP514193	Nut	
25	SP517486	Rod	

# Cabinet - Gas, Steam and Electric Models (Drawing 2 of 2)

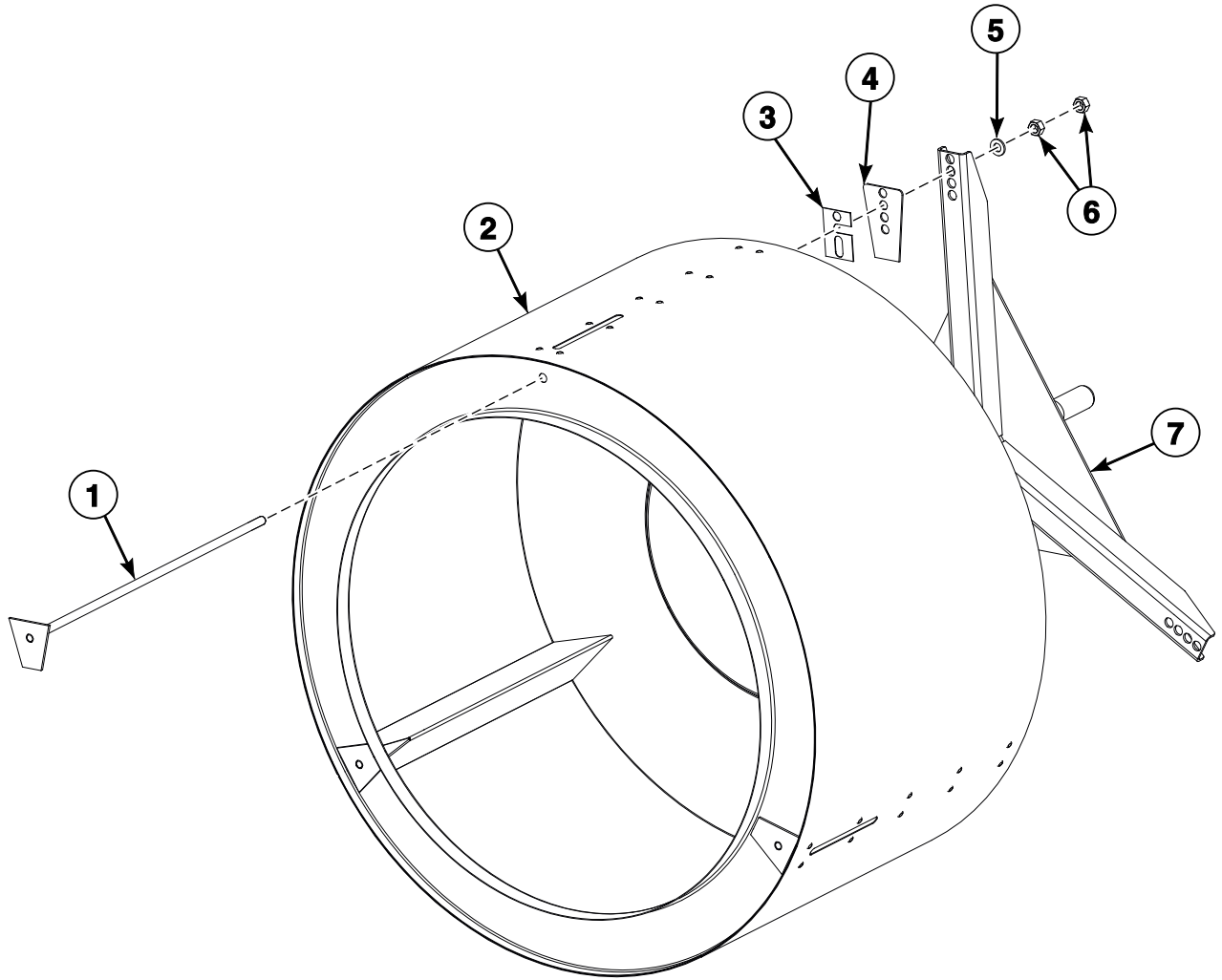


TMB3779P\_D2445

## Cabinet - Gas, Steam and Electric Models (Drawing 2 of 2)

REF	PART NO.	DESCRIPTION	COMMENTS
	SP520404	Door Switch Assembly	Includes items 1-9
1	SP311127000003	Washer	
2	SP101154	Isolation Plate	
3	SP520403	Door Switch Holder	
4	SP518719	Bolt	
5	SP311127000003	Washer	
6	SP311125000003	Washer	
7	SP517484	Microswitch	
8	SPPRI610011077	Microswitch	
9	SP516693	Bolt	
10	SP310934000010	Nut	
11	SPPRI504000001	Adjustable Foot	
12	SP311125000010	Washer	
13	SP506045	Microswitch	
14	SP512324	Filter	
15	SP545533	Exhaust Cover	
16	SP545529	Bolt	
17	SP545531	Washer	
18	SP545530	Nut	

# Drum Assembly

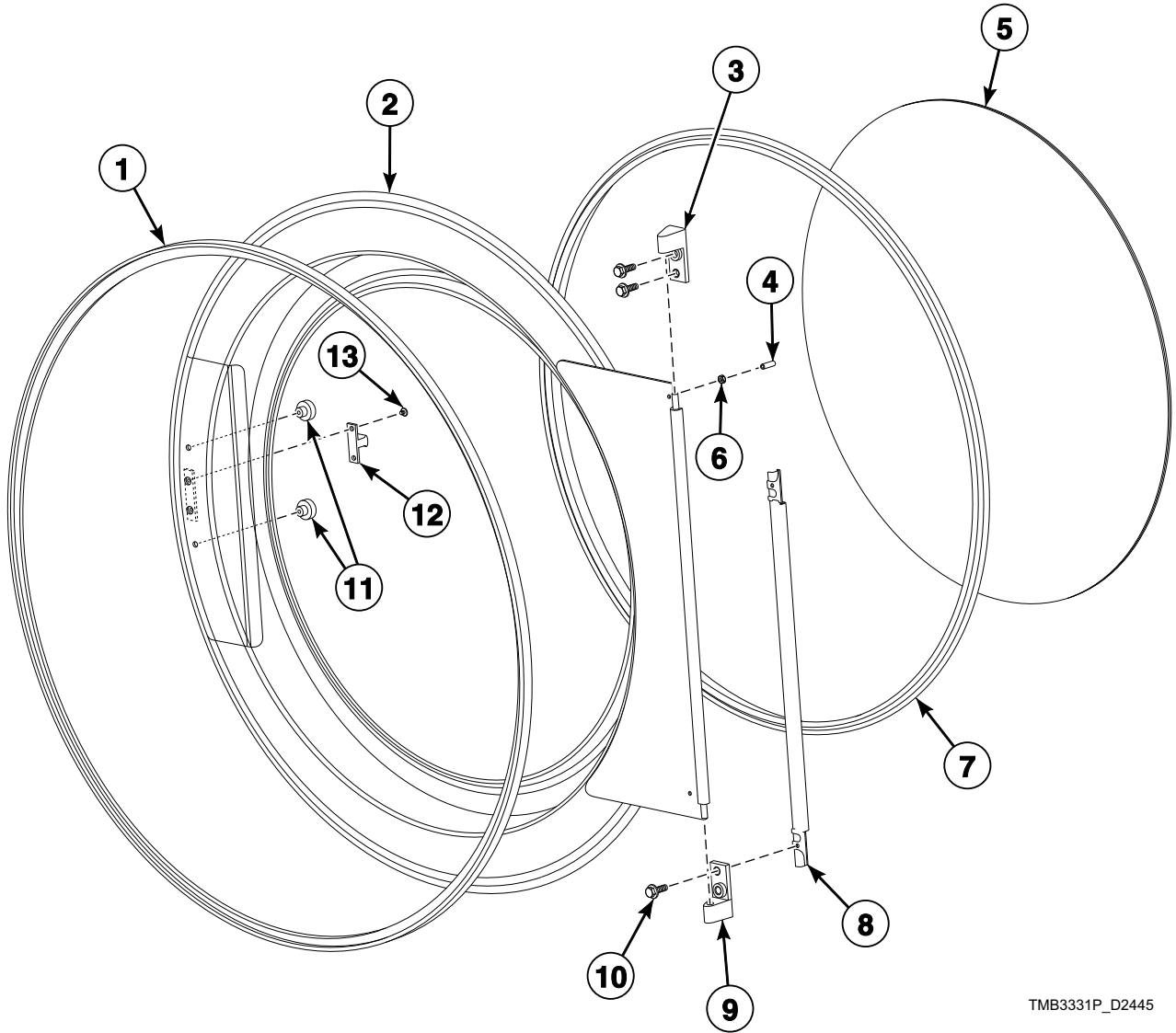


TMB3330P\_D2445

# Drum Assembly

REF	PART NO.	DESCRIPTION	COMMENTS
	577704	Drum Assembly	Galvanized; Includes items 1-7; 3000 RPM
	577726	Drum Assembly	Stainless steel; Includes items 1-7; 3000 RPM
1	SP525030	Bolt	
2	577766	Drum	Galvanized
	577769	Drum	Stainless steel
3	SP512233	Washer	1mm
	517426	Washer	0.5mm
4	SP510697	Washer	
5	SP311125000010	Washer	
6	SP310934000010	Nut	
7	SP514957	Drum Cross	3000 RPM

# Door Assembly

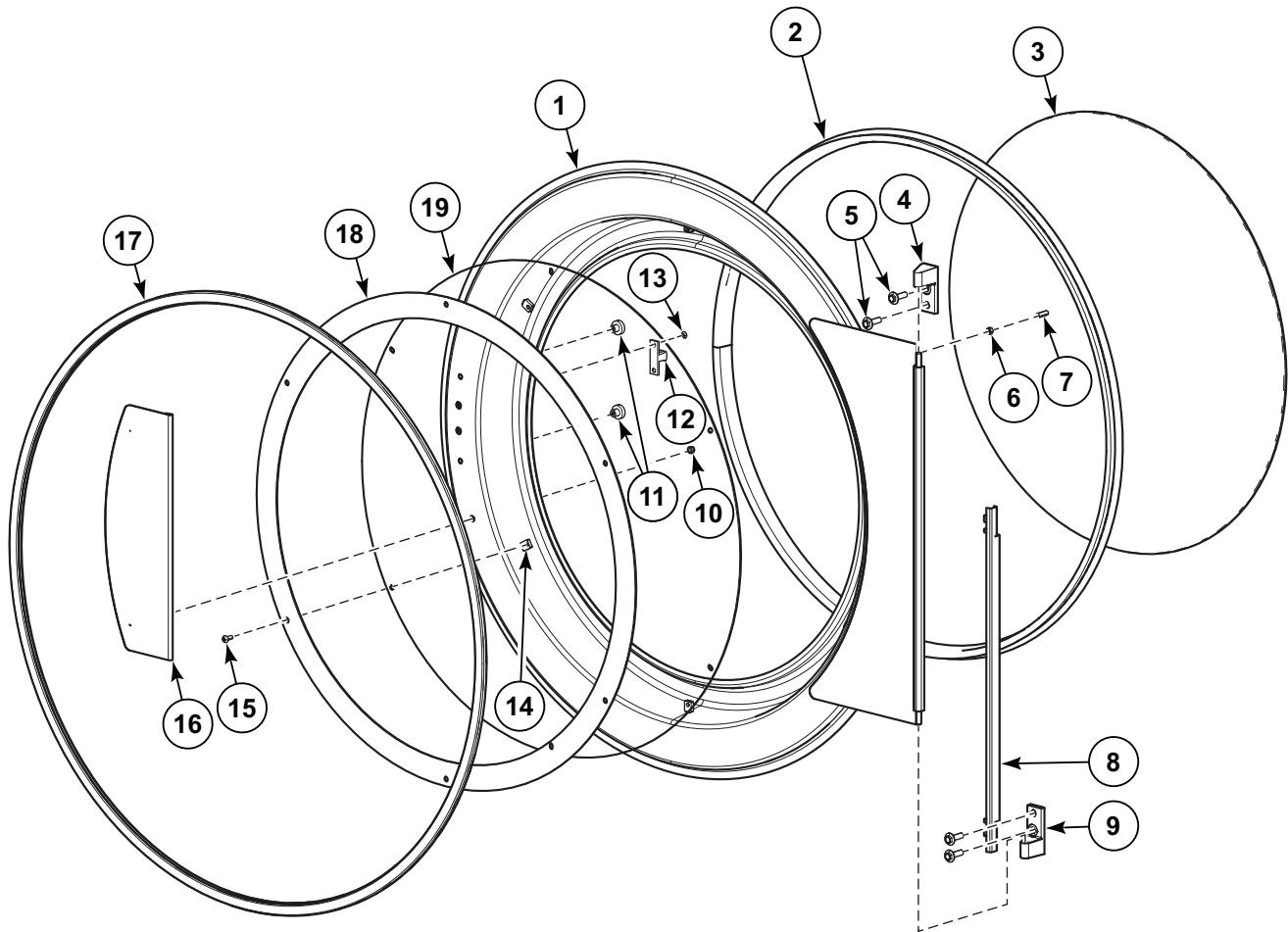


TMB3331P\_D2445

# Door Assembly

REF	PART NO.	DESCRIPTION	COMMENTS
	SP534969	Glue	Use with item 5
	SP245704003021	Adhesive	Use with item 4
	SP559703	Door Assembly	EC, P and T models; S and U models through Serial No.16T018064UD; Heat pump; Includes items 1-13; Metallic gray
	SP556559	Door Assembly	I, L and N models; S and U models starting Serial No.16T018065UD; Heat pump; Includes items 1-13; Black
	SP524359	Door Assembly	L and N models; I models starting Serial No.16T014342QD; S and U models starting Serial No.16T018065UD; Gas, steam and electric; Includes items 1-13; Black
	SP556561	Door Assembly	EC, P and T models through Serial No.16T014341QD; Heat pump; Includes items 1-13; Silver
	SP556558	Door Assembly	EC, P and T models through Serial No.16T013256MB; Gas, steam and electric; Includes items 1-13; Silver
	559702	Door Assembly	EC, P and T models starting Serial No.16T013257MB; S and U models through Serial No.16T018064UD; Gas, steam and electric; Includes items 1-13; Metallic gray
<b>1</b>	SP534873	Door Ring	
<b>2</b>	SP559701	Door	EC, P, S, T and U models; Metallic gray
	SP524364	Door	I, L, N, S and U models; Black
	SP556552	Door	EC, P and T models; Silver
<b>3</b>	SP559705	Upper Door Hinge	EC, P, S, T and U models; Metallic gray
	SP525105	Upper Door Hinge	I, L, N, S and U models; Black
	SP556555	Upper Door Hinge	EC, P and T models; Silver
<b>4</b>	SP520201	Stop Pin	
<b>5</b>	SP512053	Door Glass	
<b>6</b>	SP310934240004	Nut	
<b>7</b>	SP519933	Outer Door Gasket	
<b>8</b>	SP559706	Lath	EC, P, S, T and U models; Metallic gray
	SP524582	Lath	I, L, N, S and U models; Black
	SP556553	Lath	EC, P and T models; Silver
<b>9</b>	SP559704	Lower Door Hinge	EC, P, S, T and U models; Metallic gray
	SP525104	Lower Door Hinge	I, L, N, S and U models; Black
	SP556554	Lower Door Hinge	EC, P and T models; Silver
<b>10</b>	SP525101	Bolt	
<b>11</b>	564203	Magnet	
<b>12</b>	SP514530	Latch	
<b>13</b>	SP524367	Bolt	

# Door Assembly - Double Layer Door



CZT451P\_D2445

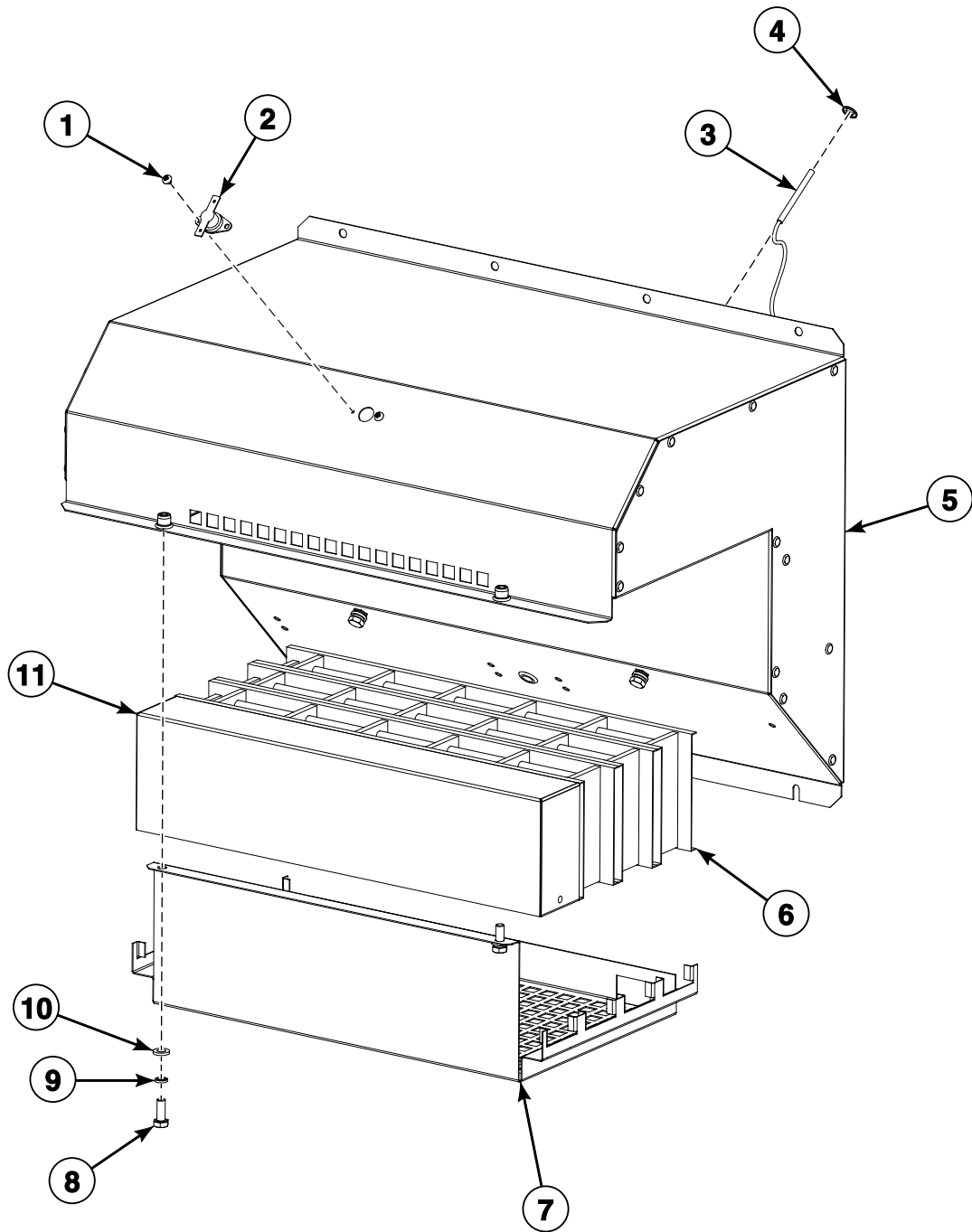


## Door Assembly - Double Layer Door

REF	PART NO.	DESCRIPTION	COMMENTS
	SP534969	Glue	Use with item 3
	SP245704003021	Adhesive	Use with item 7
	579505	Door Assembly	Gas, steam and electric models; Includes items 1-19; Black
	579506	Door Assembly	Gas, steam and electric models; Includes items 1-19; Metallic gray
	579507	Door Assembly	Heat pump models; Includes items 1-19; Black
	579508	Door Assembly	Heat pump models; Includes items 1-19; Metallic gray
<b>1</b>	579509	Door	Black
	579510	Door	Metallic gray
<b>2</b>	SP519933	Outer Door Gasket	
<b>3</b>	SP512053	Door Glass	
<b>4</b>	SP525105	Upper Door Hinge	Black
	SP559705	Upper Door Hinge	Metallic gray
<b>5</b>	SP525101	Bolt	
<b>6</b>	SP310934240004	Nut	
<b>7</b>	SP520201	Stop Pin	
<b>8</b>	SP524582	Lath	Black
	SP559706	Lath	Metallic gray
<b>9</b>	SP525104	Lower Door Hinge	Black
	SP559704	Lower Door Hinge	Metallic gray
<b>10</b>	SP514193	Nut	
<b>11</b>	564203	Magnet	Heat pump models
<b>12</b>	SP514530	Latch	
<b>13</b>	SP524367	Bolt	
<b>14</b>	580337	Plastic Layer Holder	
<b>15</b>	SP515075	Bolt	
<b>16</b>	579513	Handle	Black
	579514	Handle	Metallic gray
<b>17</b>	SP534873	Door Ring	
<b>18</b>	580339	Fixation Ring	Black
	579515	Fixation Ring	Metallic gray
<b>19</b>	580338	Door Plastic Layer	

# Electric Heat Components

Electric Models



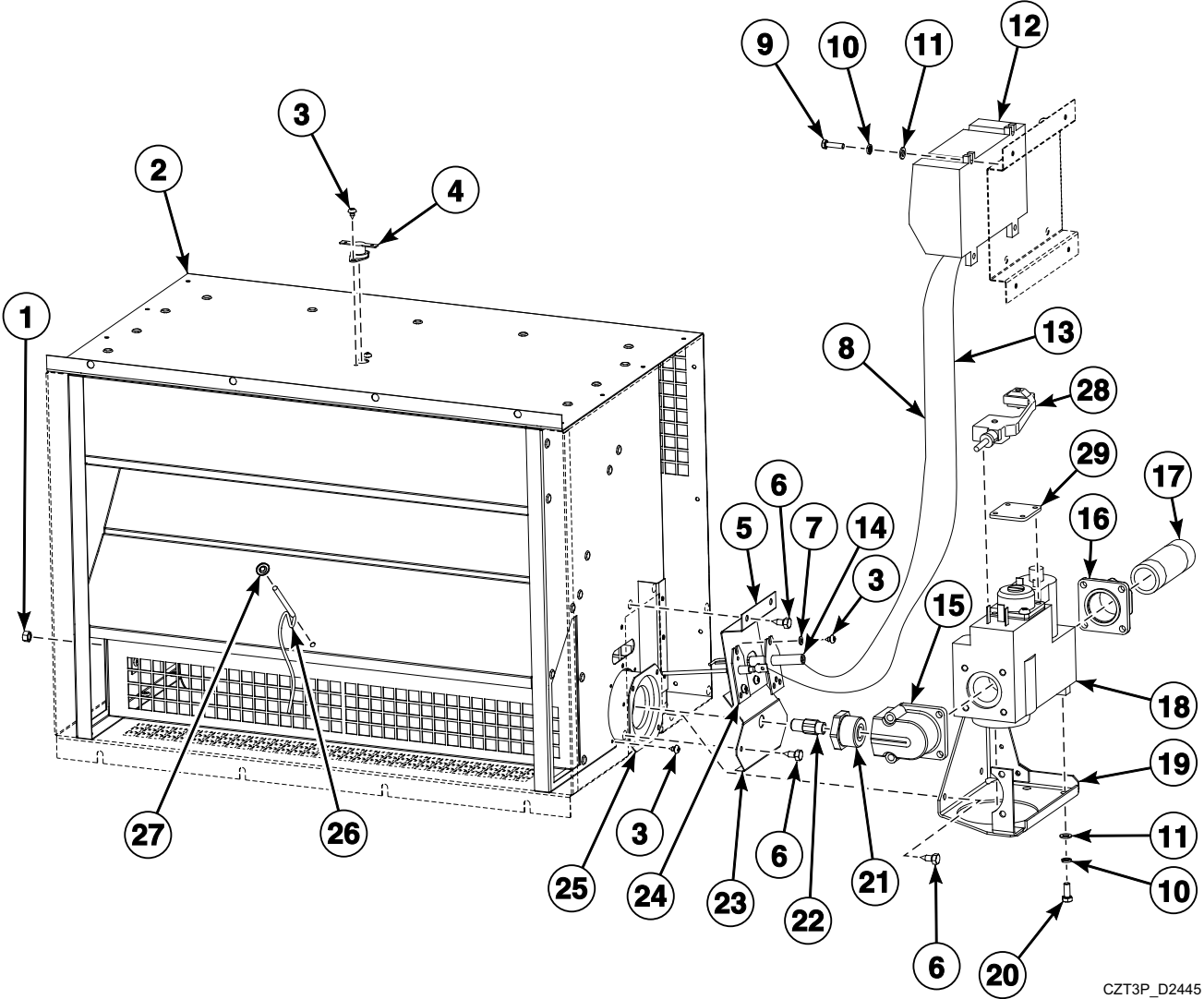
TMB3386P\_D2445

## Electric Heat Components

REF	PART NO.	DESCRIPTION	COMMENTS
1	SP309798100313	Screw	
2	SP514127	Safety Thermostat	
3	SP516092	Temperature Sensor	
4	SP516669	Washer	
5	SP528941	Heater Box	
6	SP510984	Heating Element	6 kW
	SP510985	Heating Element	4.5 kW
	SP557786	Fuse	
7	SP527900	Heating Element Bracket	
8	SP309933000616	Bolt	
9	SP311127000006	Washer	
10	SP311125000006	Washer	
11	SP520297	Plug	

# Gas Heat Components - Models Through Serial No. 16T014291QB

Gas Models



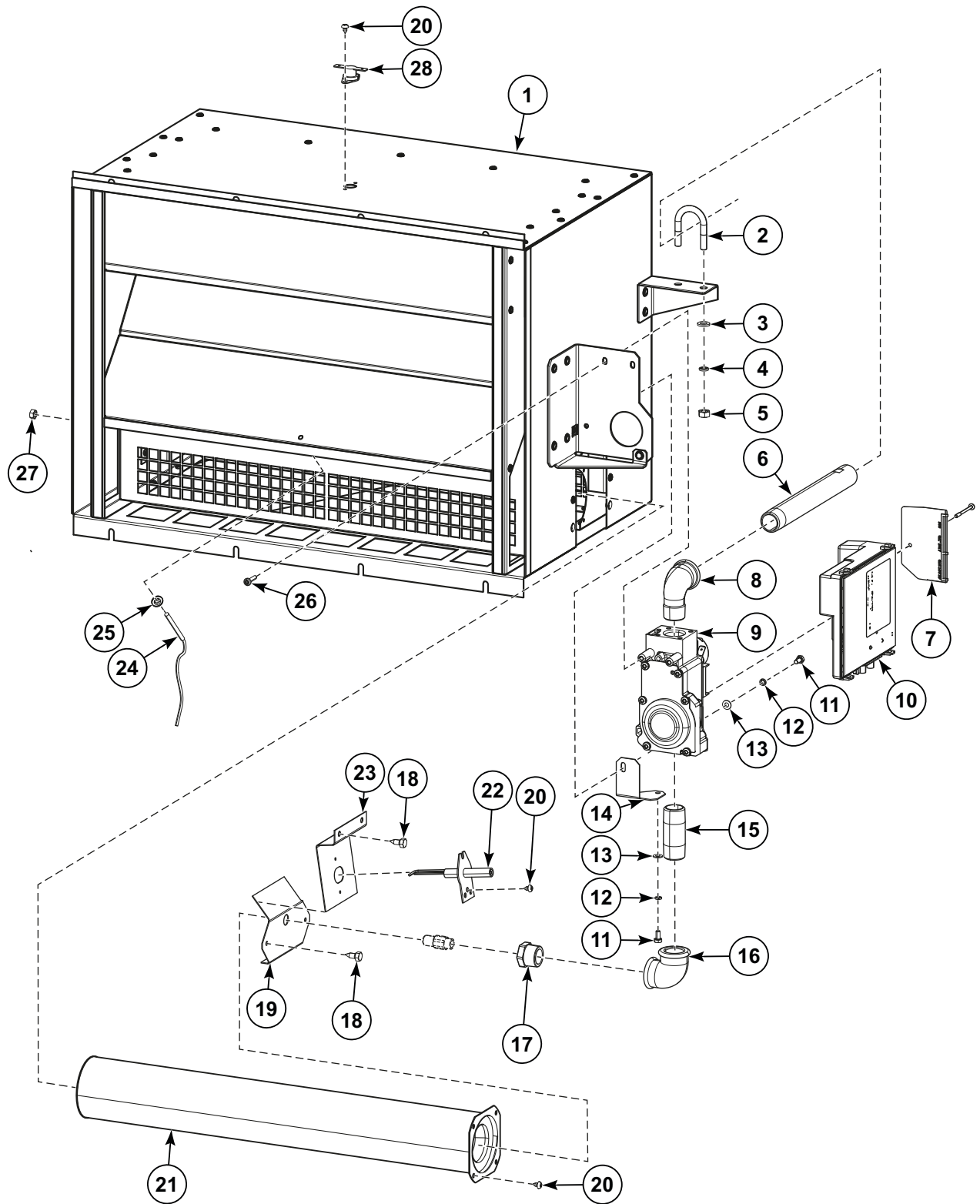
CZT3P\_D2445

# Gas Heat Components - Models Through Serial No. 16T014291QB

REF	PART NO.	DESCRIPTION	COMMENTS
	SP273454410020	Hose	
	520098	Gas Valve Wiring	60 Hertz; Use with item 18
1	SP310934240005	Nut	
2	SP512130	Gas Heater Box	
3	SP517238	Screw	
4	SP514127	Safety Thermostat	
5	SP512141	Electrode Bracket	
6	SP100218	Screw	
7	SP311125000003	Washer	
8	SP516060	Ignition Cable	
9	SP309933000516	Bolt	
10	SP311127000005	Washer	
11	SP311125000005	Washer	
12	SP357456010080	Ignition Unit	
13	SP516057	Flame Detection Cable	
14	575643	Ignition Electrode	
15	SP102018	Flange	
16	SP514062	Flange	
17	SP512142	Tube	
18	SP102000	Gas Valve	50 Hertz
	SP520281	Gas Valve	60 Hertz
19	SP512144	Valve Bracket	
20	SPPRI202001001	Bolt	
21	SP512067	Nozzle	
22	525466	Orifice	130
	525465	Orifice	165
	517241	Orifice	170
	517327	Orifice	175
	517328	Orifice	185
	517243	Orifice	190
	517222	Orifice	200
	520399	Orifice	210
	517223	Orifice	215
	517329	Orifice	220
	517224	Orifice	235
	517245	Orifice	245
	530819	Orifice	250
	517246	Orifice	260
	517250	Orifice	290
	517251	Orifice	300
	517252	Orifice	310
	517253	Orifice	325
	517225	Orifice	350
	517257	Orifice	360
	517258	Orifice	365
	517226	Orifice	380
	530820	Orifice	385
	517227	Orifice	420
	517330	Orifice	435
	517331	Orifice	445
	517337	Orifice	530
	520237	Orifice	650
	520236	Orifice	700
23	SP512139	Cover	
24	SP102002	Detection Electrode	
25	SP552515	Burner Tube	
26	SP516092	Temperature Sensor	
27	SP516669	Washer	
28	345000180901	Connector	50 Hertz; Use with item 18
	345000160645	Contact	50 Hertz; Use with item 18
	SP357500459412	Gas Valve Cable	50 Hertz; Use with item 18
29	SP102019	Blank Plate Kit	Without regulator

# Gas Heat Components - Models Starting Serial No. 16T014292QB (Drawing 1 of 2)

Gas Models



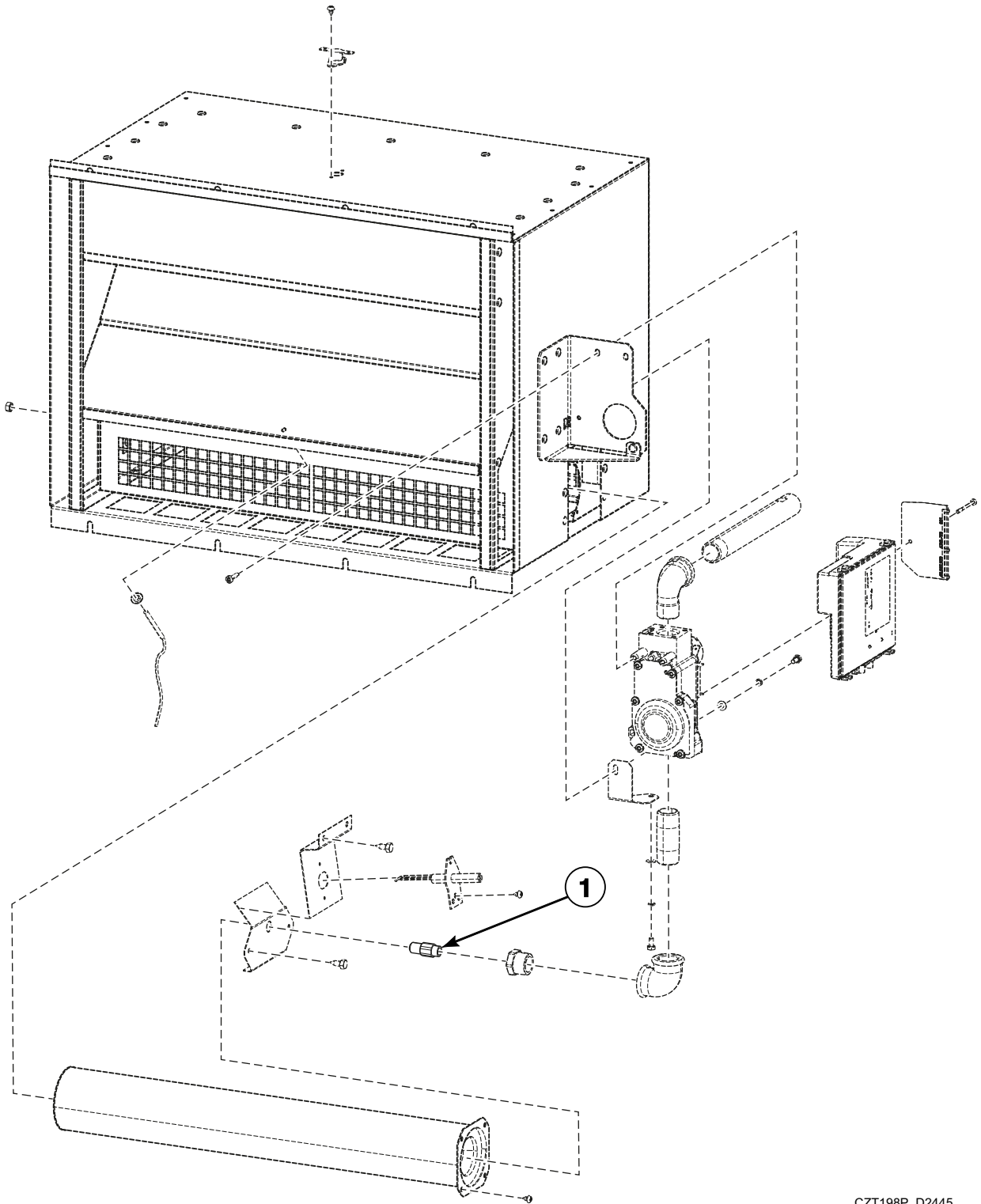
CZT467P\_D2445

## Gas Heat Components - Models Starting Serial No. 16T014292QB (Drawing 1 of 2)

REF	PART NO.	DESCRIPTION	COMMENTS
	571487	Ignition Cable	Use with item 22
1	569440	Gas Heater Box	
2	577644	Stirrup	M6 D1/2 inch
3	SP311125000006	Washer	M6
4	SP311127000006	Washer	M6
5	SP310934000006	Nut	M6
6	569444	Tube	1/2 inch
7	537625	Cover	
8	572352	Elbow	1/2 inch
9	572351	Gas Valve	
10	571938	Control Unit	
11	SP309798524408	Bolt	M4x8
12	SP311127000004	Washer	M4
13	SP311125000004	Washer	4.3
14	569446	Holder	
15	571881	Tube	1/2 inch
16	572350	Elbow	1/2 inch
17	571884	Holder	
18	SP100218	Screw	ST4.8x13
19	SP512139	Cover	
20	SP517238	Screw	ST 3.6x6.5
21	SP552515	Burner Tube	
22	575643	Ignition Electrode	
23	571880	Holder	
24	SP516092	Temperature Sensor	
25	SP516669	Washer	2 pieces
26	572361	Screw	ST3.9x13
27	SP310934240005	Nut	M5
28	SP514127	Safety Thermostat	

# Gas Heat Components - Models Starting Serial No. 16T014292QB (Drawing 2 of 2)

Gas Models



CZT198P\_D2445

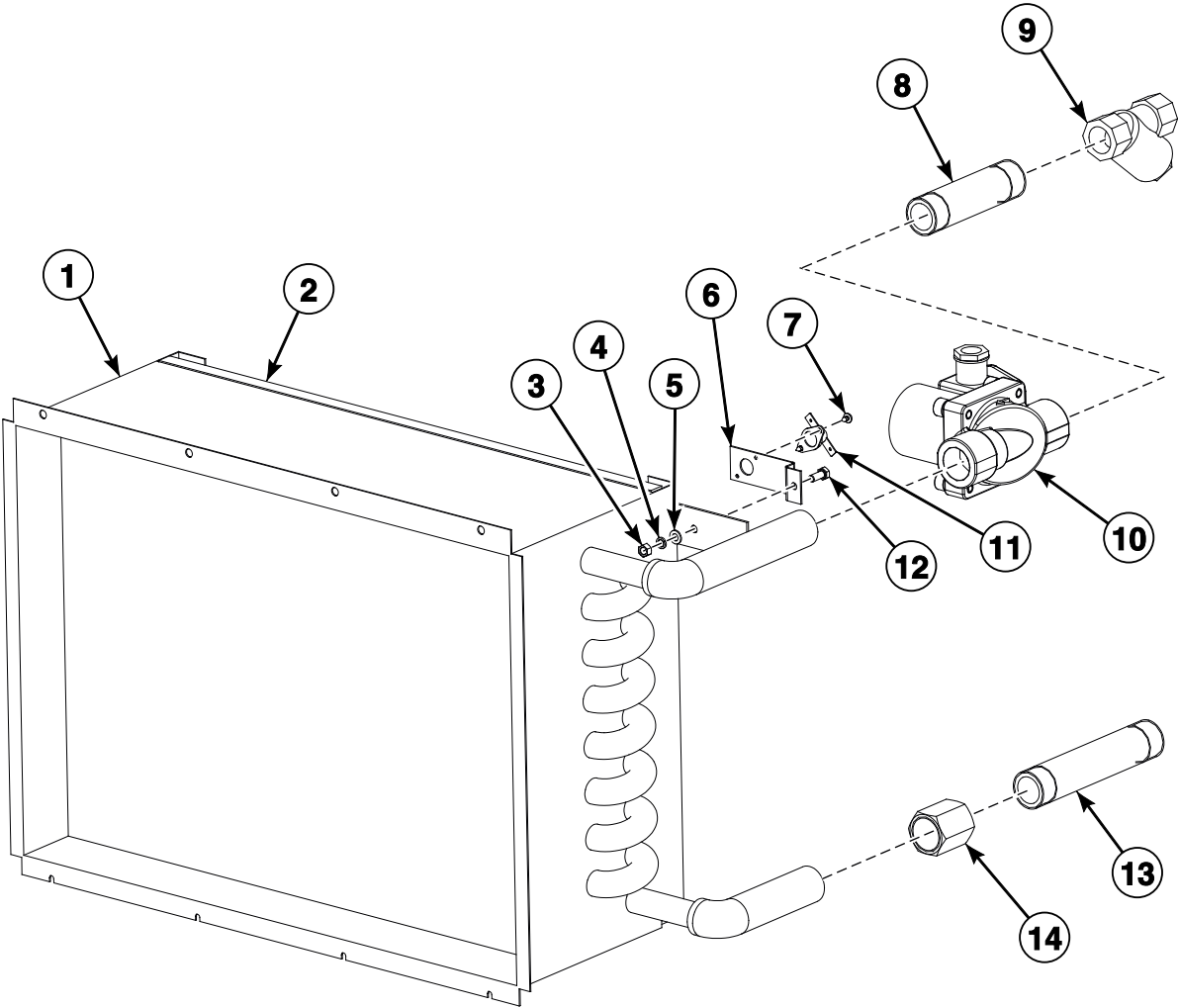


# Gas Heat Components - Models Starting Serial No. 16T014292QB (Drawing 2 of 2)

REF	PART NO.	DESCRIPTION	COMMENTS
1	525466	Orifice	130
	525465	Orifice	165
	517241	Orifice	170
	517327	Orifice	175
	517328	Orifice	185
	517243	Orifice	190
	517222	Orifice	200
	520399	Orifice	210
	517223	Orifice	215
	517329	Orifice	220
	517224	Orifice	235
	517245	Orifice	245
	530819	Orifice	250
	517246	Orifice	260
	517250	Orifice	290
	517251	Orifice	300
	517252	Orifice	310
	517253	Orifice	325
	575530	Orifice	330
	517225	Orifice	350
	517257	Orifice	360
	517258	Orifice	365
	517226	Orifice	380
	530820	Orifice	385
	517227	Orifice	420
	517330	Orifice	435
	517331	Orifice	445
	517337	Orifice	530
	520237	Orifice	650
	520236	Orifice	700

# Steam Heat Components

Steam Models



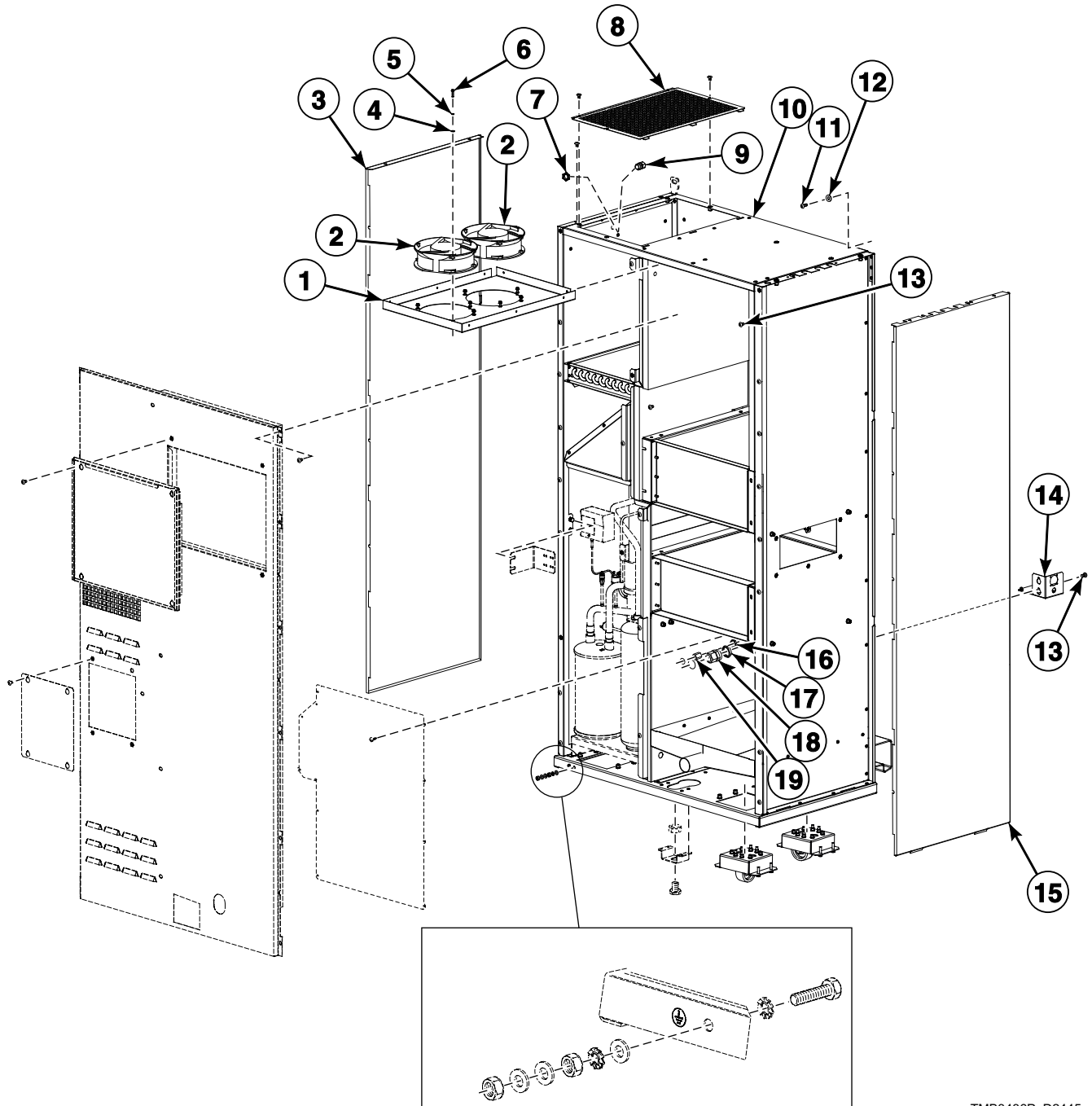
TMB3388P\_D2445

## Steam Heat Components

REF	PART NO.	DESCRIPTION	COMMENTS
1	SP530409	Steam Exchanger	2 rows
	SP530410	Steam Exchanger	4 rows
2	SP519027	Filter	
3	SP310934240005	Nut	
4	SP311127000005	Washer	
5	SP311125000005	Washer	
6	SP520227	Thermostat Bracket	
7	SP517238	Screw	
8	SP517236	Tube	
9	SP405054057006	Steam Filter	3/4 inch
10	SP516718	Steam Valve	50 Hertz; With coil
	SP514166	Steam Valve Body	60 Hertz; Without coil
	SP516717	Coil	60 Hertz
11	SP514127	Safety Thermostat	
12	SPPRI202001001	Bolt	
13	SP314G00017524	Tube	
14	SPX01140400514	Tube Insert	

# Heat Pump (Drawing 1 of 2)

Heat Pump Models



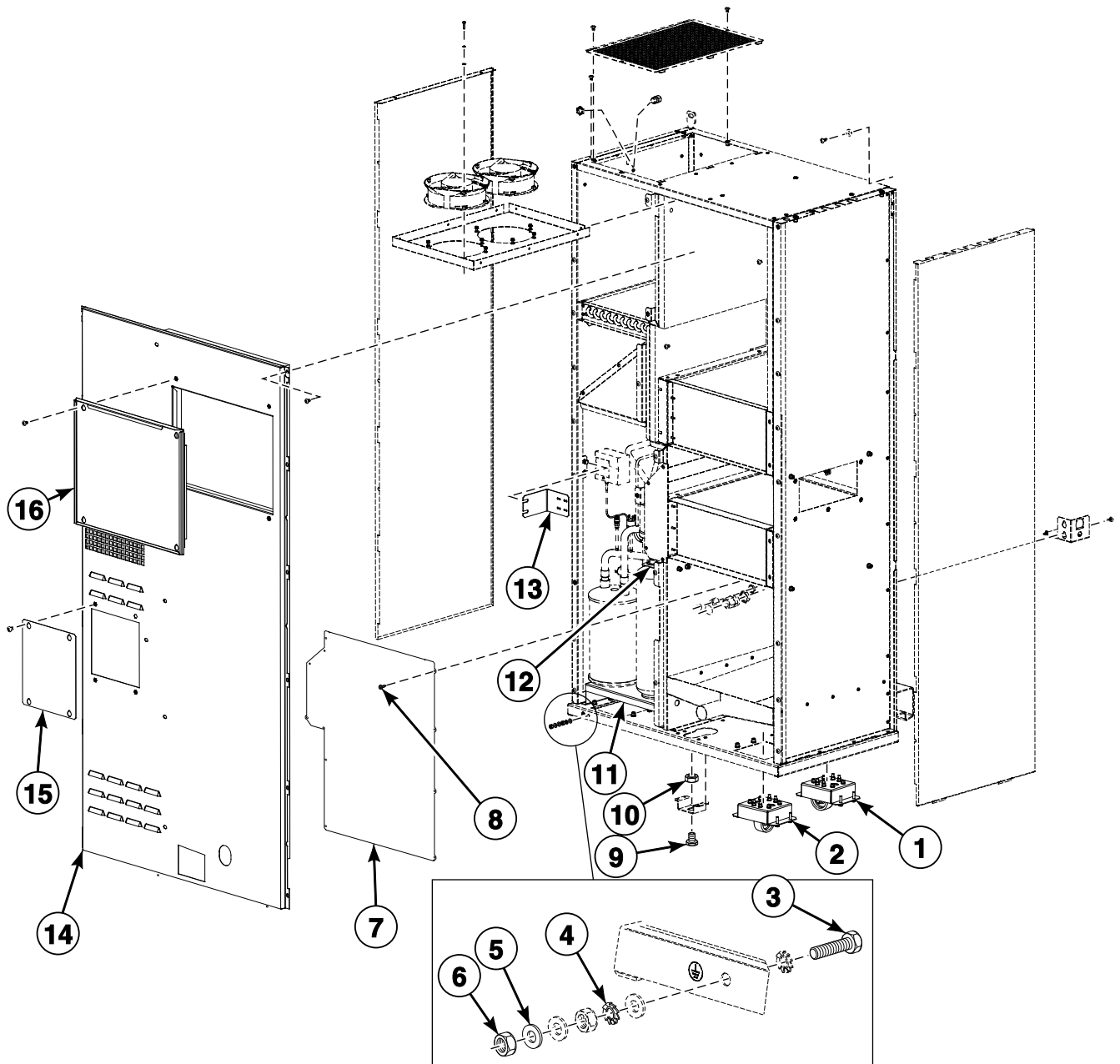
TMB3436P\_D2445

## Heat Pump (Drawing 1 of 2)

REF	PART NO.	DESCRIPTION	COMMENTS
	SP556082	Heat Pump	U models; With rinsing system; 380-415V 3AC+N 50Hz or 440V 3AC 60Hz; Imitation stainless steel; I models starting S.N.16T014342QD; S models starting S.N.16T018065UD
	SP556084	Heat Pump	U models; With rinsing system; 230V 3AC 50Hz; Imitation stainless steel; I models starting S.N.16T014342QD; S models starting S.N.16T018065UD
	SP556090	Heat Pump	U models; Without rinsing system; 380-415V 3AC+N 50Hz or 440V 3AC 60Hz; Imitation stainless steel; I models starting S.N.16T014342QD; S models starting S.N.16T018065UD
	SP556092	Heat Pump	U models; Without rinsing system; 230V 3AC 50Hz; Imitation stainless steel; I models starting S.N.16T014342QD; S models starting S.N.16T018065UD
	SP556659	Heat Pump	I and LS350HP_BASIC models through S.N.16T014341QD; S models through S.N.16T018064UD; Without rinsing system; 230V 3AC 50Hz; White
	SP556660	Heat Pump	I and LS350HP_BASIC models through S.N.16T014341QD; S models through S.N.16T018064UD; Without rinsing system; 380-415V 3AC+N 50Hz or 440V 3AC 60Hz; White
	SP556663	Heat Pump	I and LS350HP_BASIC models through S.N.16T014341QD; S models through S.N.16T018064UD; With rinsing system; 230V 3AC 50Hz; White
	SP556664	Heat Pump	I and LS350HP_BASIC models through S.N.16T014341QD; S models through S.N.16T018064UD; With rinsing system; 380-415V 3AC+N 50Hz or 440V 3AC 60Hz; White
	SP556083	Heat Pump	EC, L, N, P and T models; With rinsing system; 380-415V 3AC+N 50Hz or 440 V 3AC 60Hz; Gray
	SP556085	Heat Pump	EC, L, N, P and T models; With rinsing system; 230V 3AC 50Hz; Gray
	SP556091	Heat Pump	EC, L, N, P and T models; Without rinsing system; 380-415V 3AC+N 50Hz or 440V 3AC 60Hz; Gray
	SP556093	Heat Pump	EC, L, N, P and T models; Without rinsing system; 230V 3AC 50Hz; Gray
	SP541496	Fan Assembly	Includes items 1, 2 and 4-6
<b>1</b>	SP541495	Fan Holder	
<b>2</b>	SP528481	Fan	
<b>3</b>	SP541424	Side Panel	U models; Left; Imitation stainless steel; I models starting S.N.16T014342QD; S models starting S.N.16T018065UD
	SP556649	Side Panel	I and LS350HP_BASIC models through S.N.16T014341QD; S models through S.N.16T018064UD; Left; White
	SP556005	Side Panel	EC, L, N, P and T models; Left; Gray
<b>4</b>	SP311125000004	Washer	
<b>5</b>	SP311127000004	Washer	
<b>6</b>	SP309084000416	Bolt	
<b>7</b>	SP101415	Nut	
<b>8</b>	SP541484	Fan Cover	
<b>9</b>	SP101405	Bushing	
<b>10</b>	SP552660	Cabinet	
<b>11</b>	SP537864	Bolt	
<b>12</b>	SP311902100006	Washer	
<b>13</b>	SP506012	Bolt	
<b>14</b>	SP551869	Humidity Sensor Cover	
<b>15</b>	SP541425	Side Panel	U models; Right; Imitation stainless steel; I models starting S.N.16T014342QD; S models starting S.N.16T018065UD
	SP556650	Side Panel	I and LS350HP_BASIC models through S.N.16T014341QD; S models through S.N.16T018064UD; Right; White
	SP556007	Side Panel	EC, L, N, P and T models; Right; Gray
<b>16</b>	SP101416	Nut	
<b>17</b>	SP101418	Nut	
<b>18</b>	SP101408	Bushing	
<b>19</b>	SP101406	Bushing	

# Heat Pump (Drawing 2 of 2)

Heat Pump Models

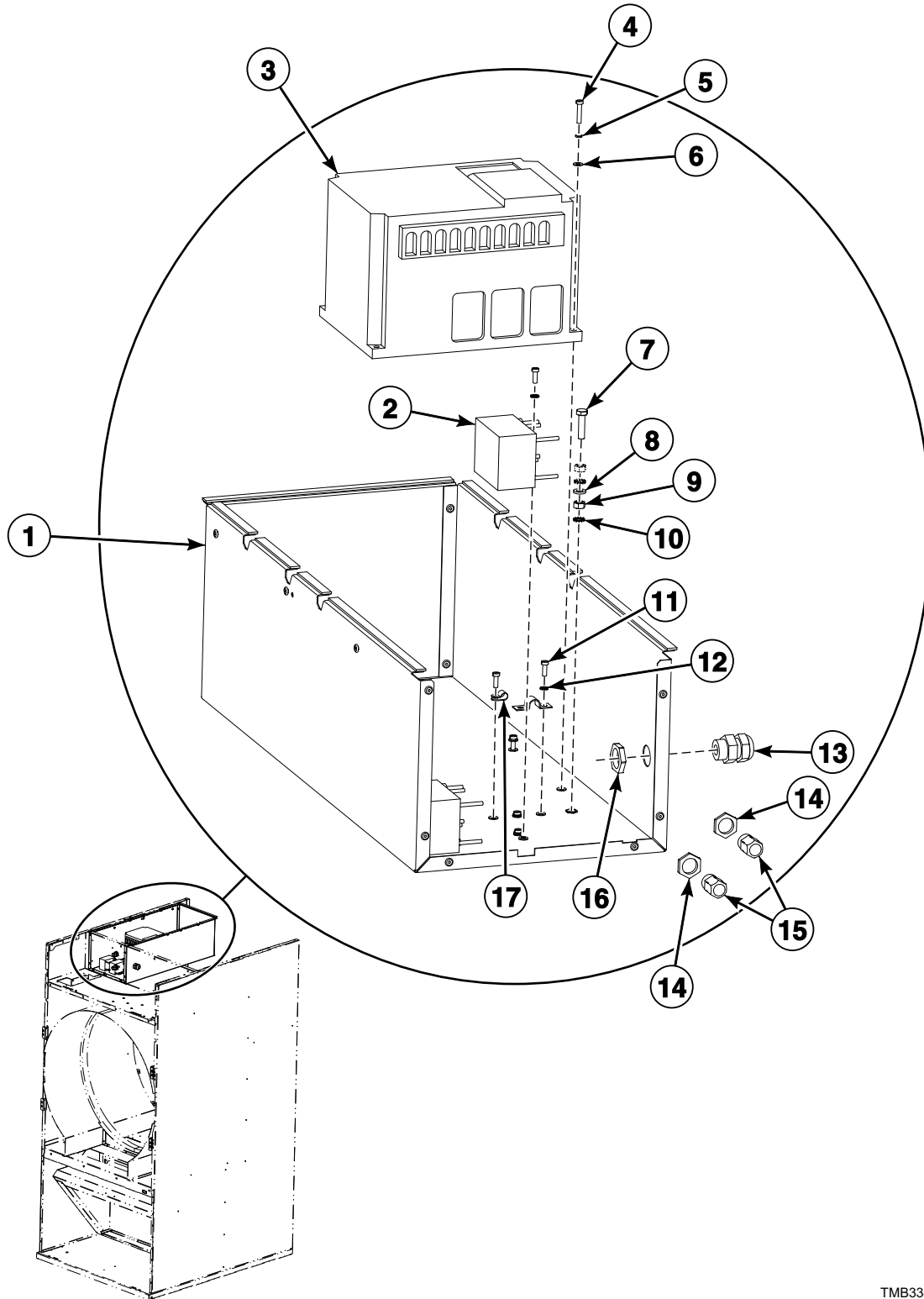


TMB3437P\_D2445

## Heat Pump (Drawing 2 of 2)

REF	PART NO.	DESCRIPTION	COMMENTS
1	SP541494	Swivel Wheel Assembly	
2	SP551864	Swivel Wheel Assembly	
3	SP309933000625	Bolt	
4	SP311679824006	Washer	
5	SP311125000006	Washer	
6	SP310934000006	Nut	
7	566259	Cover	Models starting Serial No. 16T010067FS
8	SP529206	Screw	M4x11
9	SP533726	Bolt	
10	SP310934000020	Nut	
11	SP541489	Base	
12	SP541436	Bracket	
13	SP541457	Thermostat Bracket	
14	SP541435	Cover	Models through Serial No. 16T010474FZ
	SP566301	Cover	Models starting Serial No. 16T010475FZ
15	SP551860	Cover	
16	SP541434	Cover	

# Frequency Inverter Panel



TMB3344P\_D2445

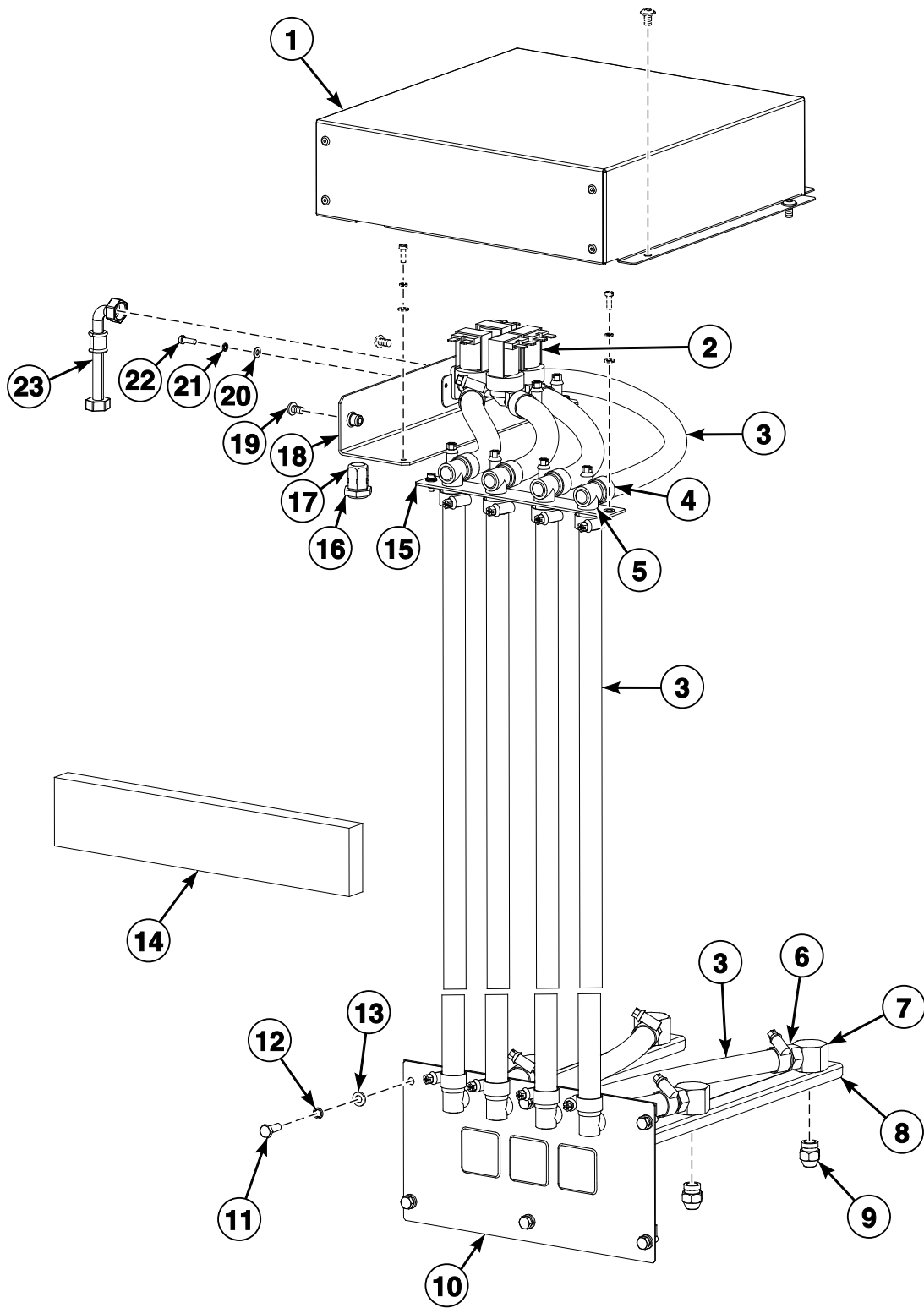


# Frequency Inverter Panel

REF	PART NO.	DESCRIPTION	COMMENTS
	SP556043	Box Assembly	Includes items 1-17
1	SP556044	Box	
2	SP552251	Filter	
3	571478	Frequency Inverter	
4	SP309084000420	Bolt	
5	SP311127000004	Washer	
6	SP311125000004	Washer	
7	SP309933100625	Bolt	
8	SP311125100006	Washer	
9	SP310934100006	Nut	
10	SP311679824006	Washer	
11	SP309084000412	Bolt	
12	SP311679800004	Washer	
13	SP101408	Bushing	
14	SP101416	Nut	
15	SP101406	Bushing	
16	SP101418	Nut	
17	SP502214	Clip	

# Heat Pump Rinsing System

Heat Pump Models



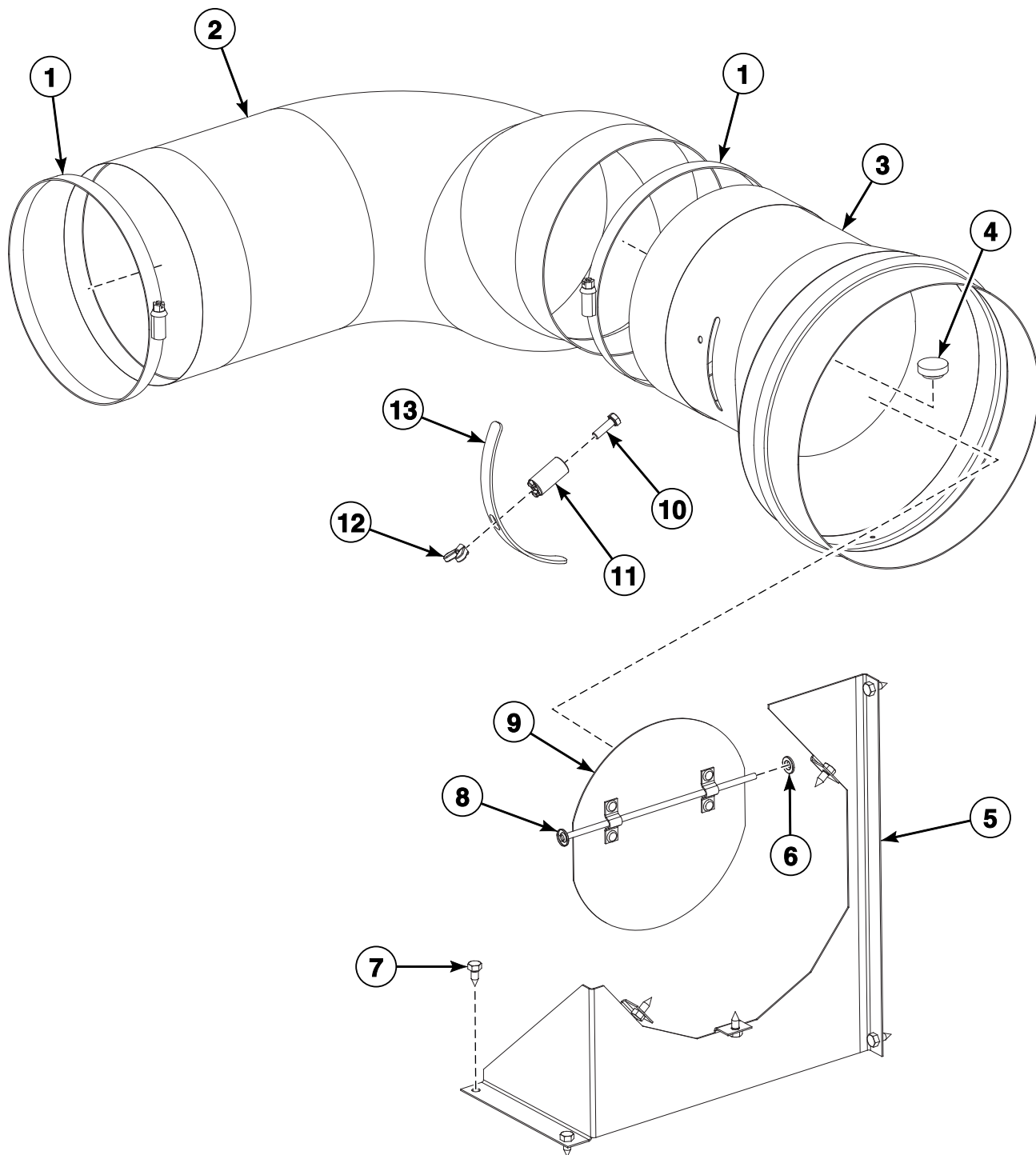
CZT1P\_D2445

## Heat Pump Rinsing System

REF	PART NO.	DESCRIPTION	COMMENTS
	SP556920	Nozzle Holder Assembly	Includes items 6, 7, 8 and 9
	581723	Time Relay	For models with HP Booster
1	SP556947	Valve Cover Assembly	
2	SP556959	Valve	4-way
3	SPPRI540000014	Hose	
	SP101745	Hose Pipe	For water approval
4	SPPRI240000002	Hose Clamp	
5	SP527236	Elbow	
6	SP556916	Nozzle Adapter	
7	SP556915	Nozzle Fitting Adapter	
8	SP556919	Nozzle Bracket Assembly	
9	SP556922	Nozzle	
10	SP556954	Rinsing System Bracket	
11	SP309933000616	Bolt	
12	SP311125000006	Washer	
13	SP311127000006	Washer	
14	SP552666	Insulation	
15	SP556943	Elbow Bracket Assembly	
16	SP101416	Nut	
17	SP101406	Bushing	
18	SP556946	Valve Bracket Assembly	
19	SP506012	Bolt	
20	SP311127000004	Washer	
21	SP311125000004	Washer	
22	SP309084000412	Bolt	
23	SPPRI505000054	Filling Hose Pipe	
	SP101621	Filling Hose Pipe	For water approval

# Exhaust

Gas, Steam and Electric Models

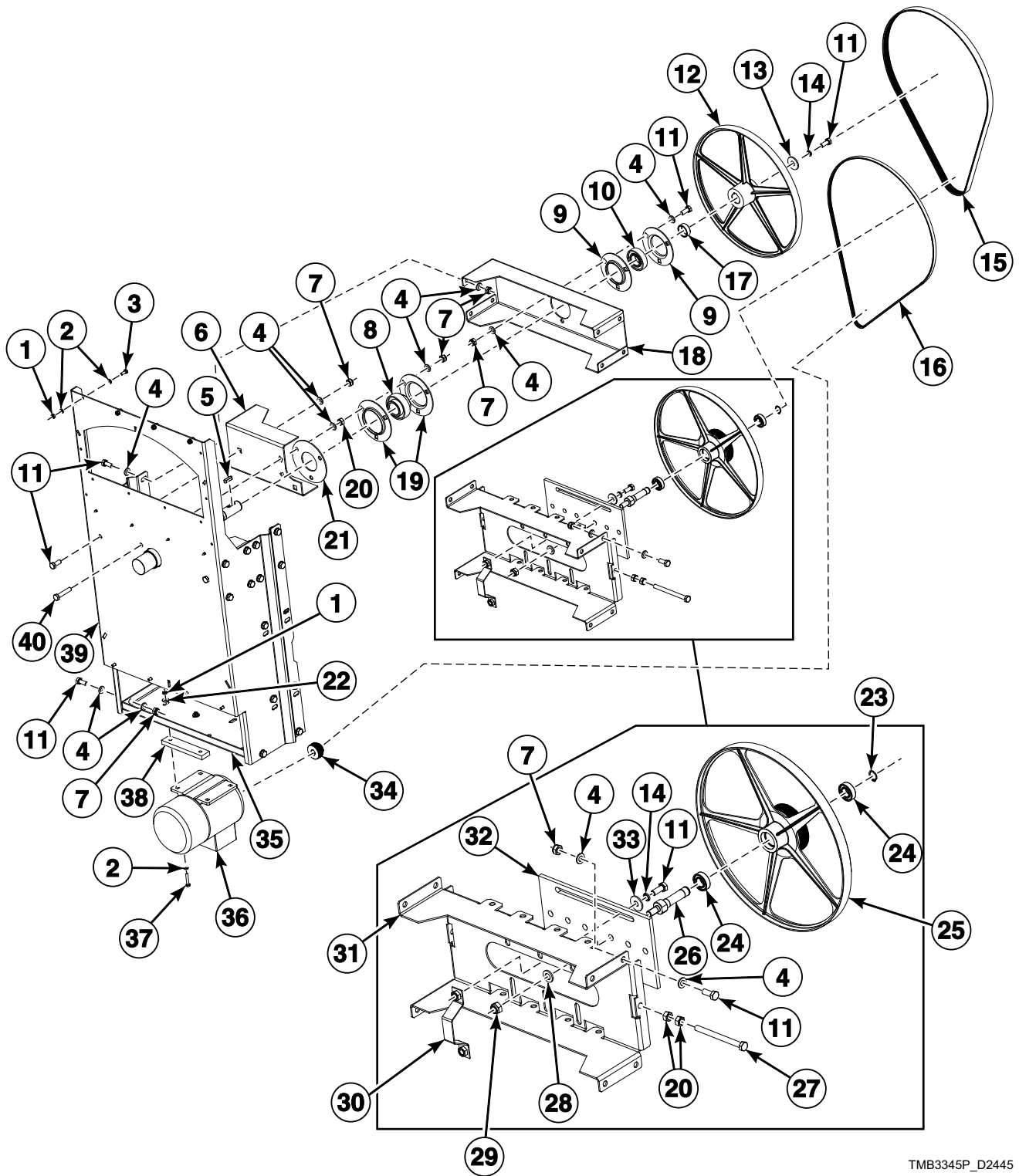


TMB3389P\_D2445

# Exhaust

REF	PART NO.	DESCRIPTION	COMMENTS
	SP534910	Exhaust Assembly	Includes items 1-13
1	SP529013	Clamp	
2	SP144151508341	Tube	
3	SP534914	Tube	
4	SP273127001798	Plug	
5	SP530689	Exhaust Bracket	
6	SP516669	Washer	
7	SP100218	Screw	
8	SP534908	Bar	
9	SP534902	Flap Assembly	
10	SP309933000516	Bolt	
11	SP534900	Flap Stop	
12	SP534929	Nut	
13	SP534904	Plug	

# Drive System



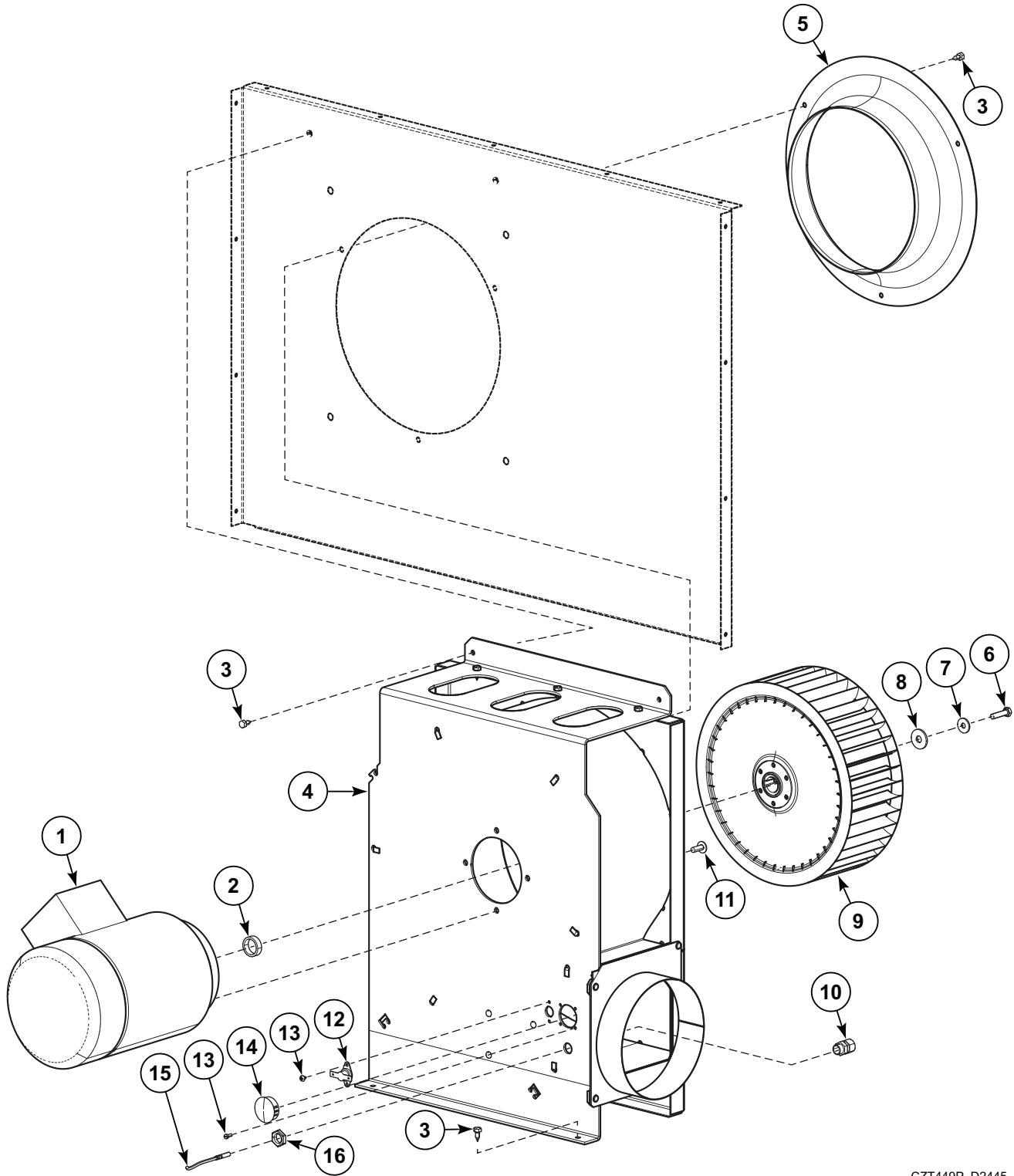
TMB3345P\_D2445

# Drive System

REF	PART NO.	DESCRIPTION	COMMENTS
	SP528928	Tension Assembly	Includes items 4, 7, 11, 14, 20 and 23-33
1	SP310985000006	Nut	
2	SP311125000006	Washer	
3	SP309933000616	Bolt	
4	SP311125000010	Washer	
5	SP505449	Key	
6	SP512365	Reinforcement Bracket	
7	SP310985000010	Nut	
8	SP514005	Bearing	
9	SP514012	Flange Bearing Body	
10	SP514007	Bearing	
11	SP309933001025	Bolt	
12	SP518646	Double Drum Pulley	
13	SP311902100012	Washer	
14	SP311127000010	Washer	
15	SP518647	Belt	
16	SP515257	Belt	
17	SP518649	Distance Ring	
18	SP512366	Bearing Bracket	
19	SP514011	Flange Bearing Body	
20	SP310934000010	Nut	
21	SP514483	Bearing Flange	
22	SP311902100006	Washer	
23	SP515517	Retaining Ring	
24	SP326000600300	Bearing	
25	SP534703	Double Pulley	
26	SP534704	Tension Rod	
27	SP309933001120	Bolt	
28	SP311125000013	Washer	
29	SP310985000012	Nut	
30	SP515514	Support Plate	
31	SP514479	Tension Assembly	
32	SP514480	Sliding Board	
33	SP311902100010	Washer	
34	SP530720	Motor Pulley	50 Hertz; Reversing
	SP530721	Motor Pulley	60 Hertz; Reversing
	SP527723	Motor Pulley	50 Hertz; Nonreversing
	SP528922	Motor Pulley	60 Hertz; Nonreversing
35	SP515418	Motor Bracket	3 Phase; Reversing
	SP518517	Motor Bracket	1 Phase; Reversing
36	SP523724	Motor	208-240 Volt; 1 Phase; Reversing
	SP523725	Motor	3 Phase; Reversing
37	SP518556	Bolt	
38	SP515521	Spacer	
39	SP512363	Drive Bracket	
40	SP309933001050	Bolt	

# Fan Housing Assembly

Gas, Steam and Electric Models



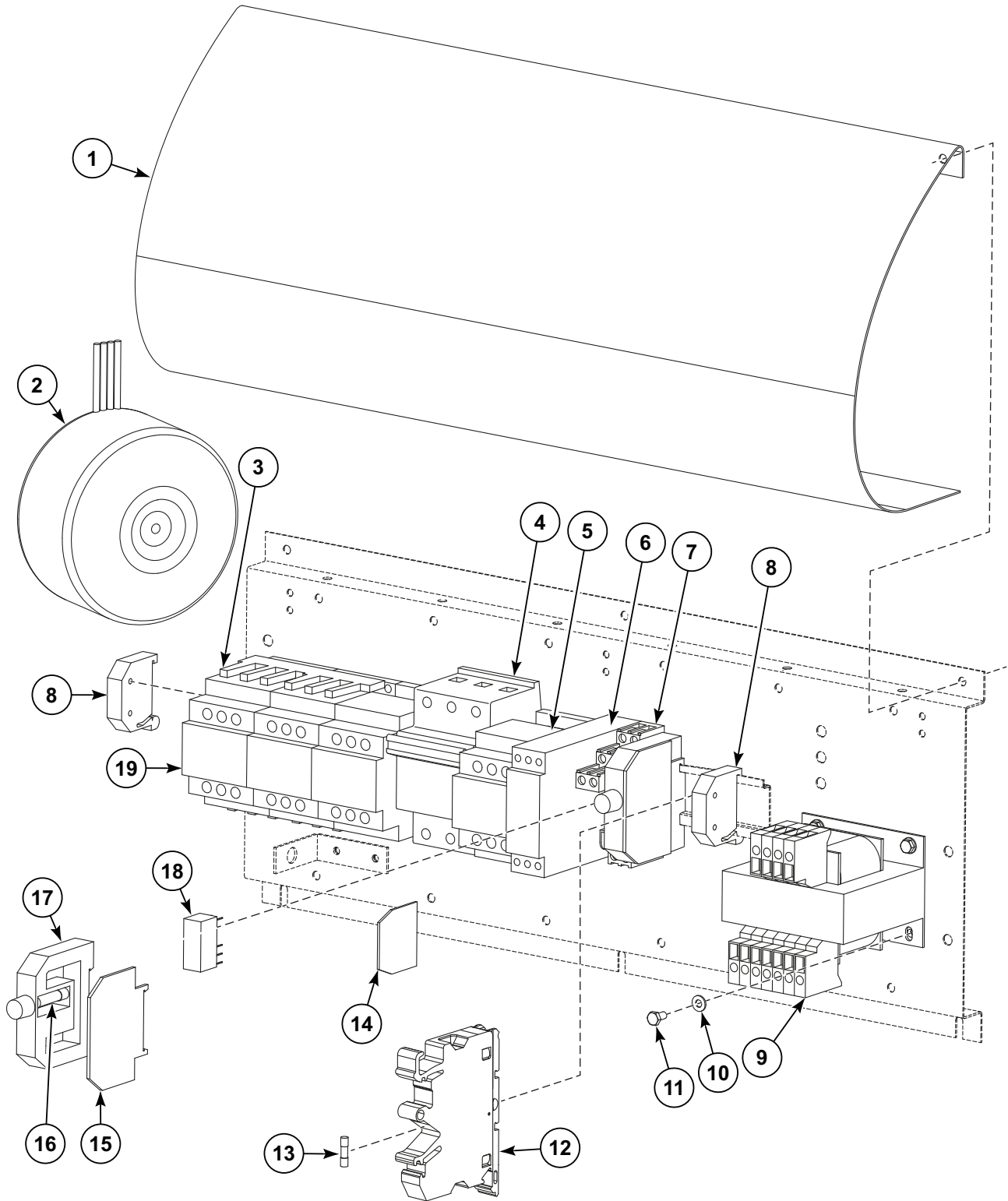
CZT449P\_D2445



## Fan Housing Assembly

REF	PART NO.	DESCRIPTION	COMMENTS
1	SP523622	Fan Motor	3 phase; Nonreversing
	SP523625	Fan Motor	1 phase; Nonreversing
2	SP520940	Spacer	
3	SP100218	Screw	
4	575503	Fan Housing Weldment	
5	SP520950	Inlet Nozzle	
6	SP309933000625	Bolt	
7	SP311902100006	Washer	
8	SP311902100008	Washer	
9	SP520945	Ventilator	
10	SP101405	Bushing	
11	SP510954	Bolt	
12	SP514016	Safety Thermostat	
13	SP309798500306	Screw	
14	SPPRI505000064	Plug	
15	SP534930	Temperature Sensor	
16	SP101415	Nut	

# Electric Box Components - Heat Pump Models

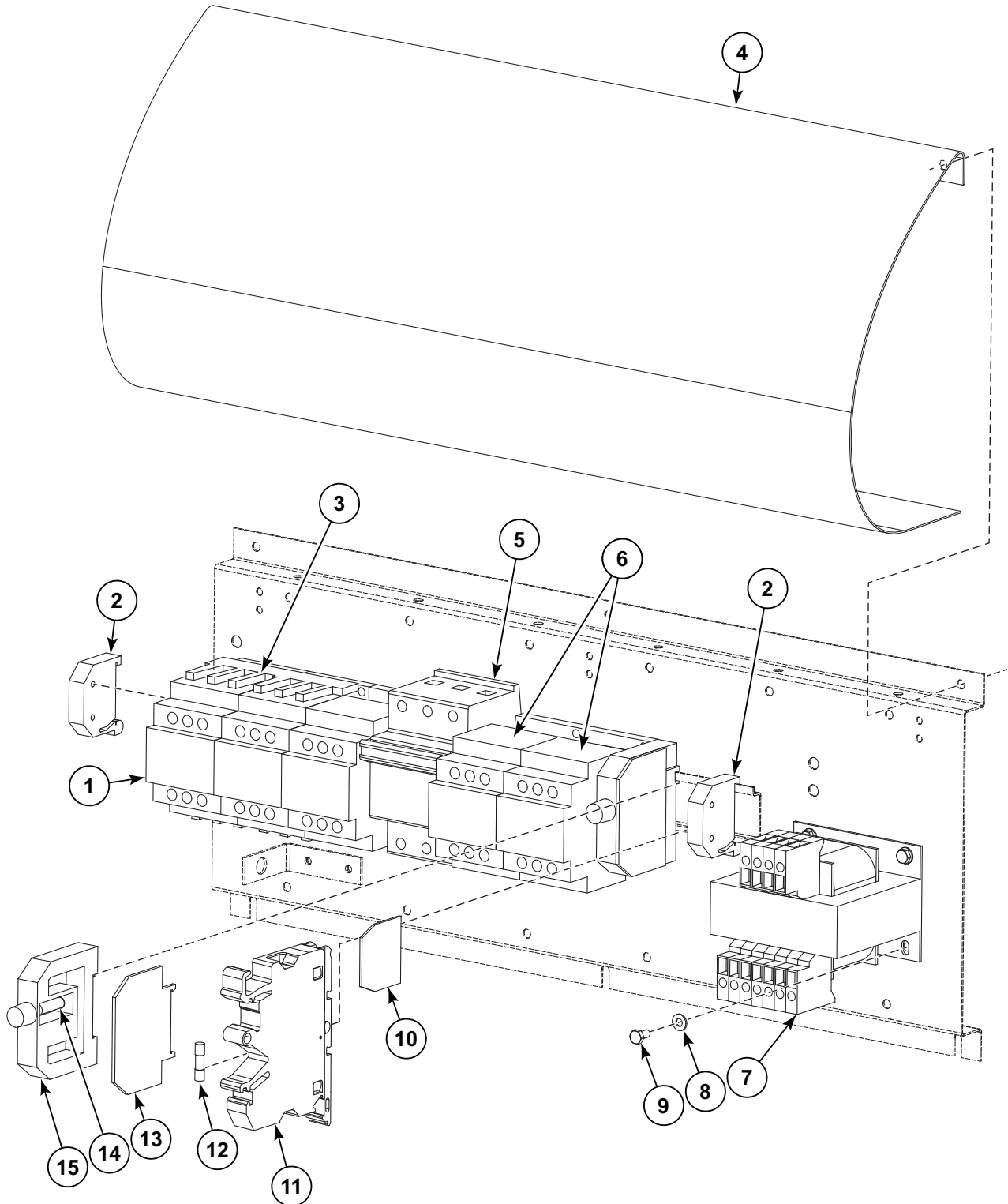


CZT468P\_D2445

## Electric Box Components - Heat Pump Models

REF	PART NO.	DESCRIPTION	COMMENTS
	SP552248	Autotransformer	440-480 Volt/50 or 60 Hertz/3 Phase
1	530518	Electric Box Cover	
2	SP552201	Autotransformer	
3	569858	Mechanical Interlock Unit	Need to use with 569859 Set for Reversing Contactors
4	SP358251506220	Fuse	
	SP358251601312	Fuse Isolator	
5	569857	Contactor	208-240V 1AC
	569856	Contactor	208-240V 3AC; 380-415V 3AC+N
6	SP552311	Control Relay	
7	SP506586	Relay Case	Including Relay Clamp
8	SP346000209101	End Stop	
9	SP514021	Transformer	208-440 Volt
10	SP311125000004	Washer	
11	SP309084000410	Bolt	
12	552482	Fuse Housing	
13	SP345805005020	Fuse	250 Volt; T500mA
	SPPRI401001021	Fuse	250 Volt; F4A
14	552483	End Cover	
15	SP346000014010	Cover	
16	SP514133	Fuse	500 Volt, F500mA; 440 Volt; 380-415 Volt
17	SP346000004010	Fuse Case	
18	SP514057	Relay	
19	569856	Contactor	

# Electric Box Components - Electric Models

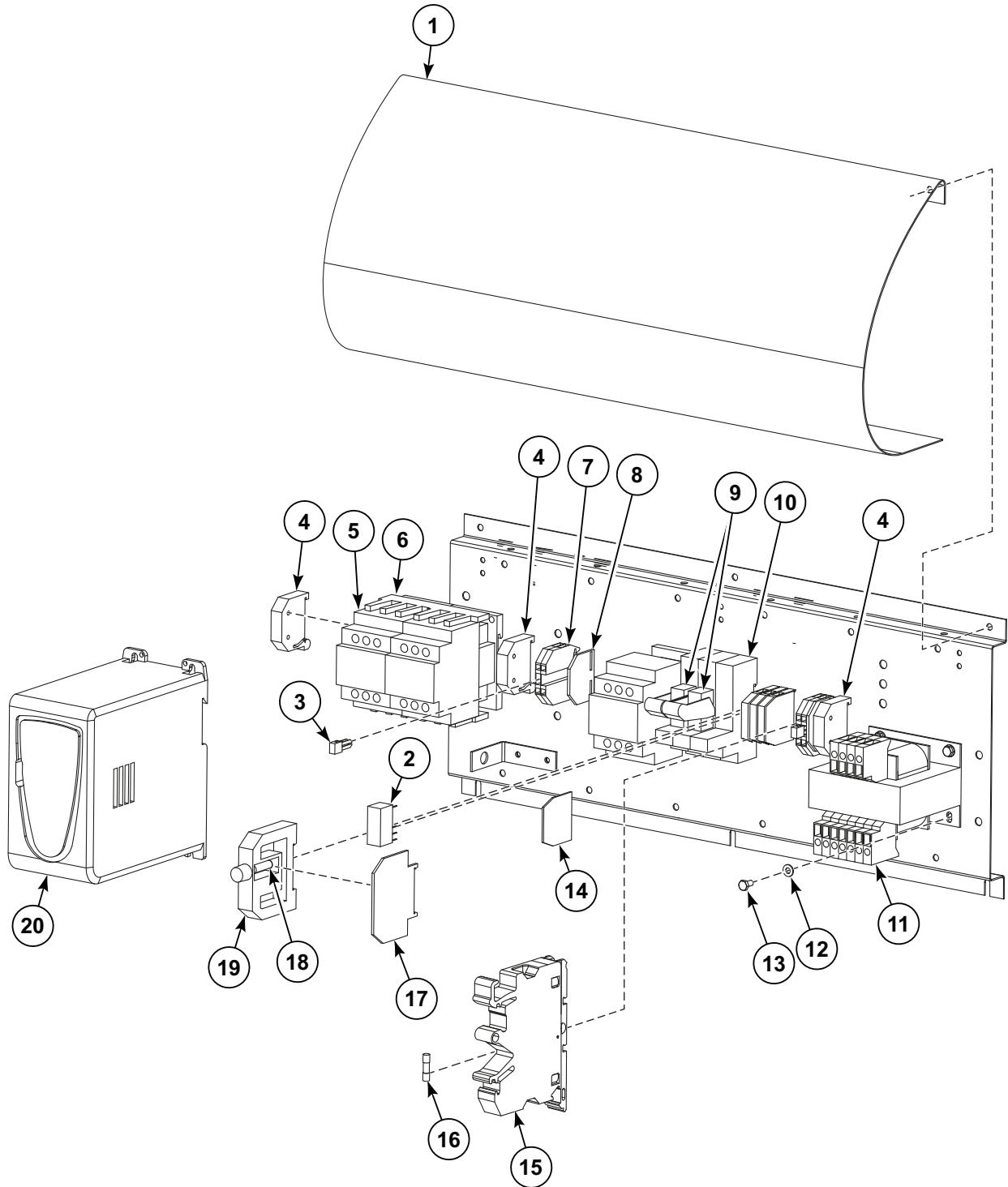


CZT456P\_D2445

## Electric Box Components - Electric Models

REF	PART NO.	DESCRIPTION	COMMENTS
	SP552248	Autotransformer	440-480 Volt/50 or 60 Hertz/3 AC
1	569856	Contactator	
2	SP346000209101	End Stop	
3	569858	Mechanical Interlock Unit	Need to use with 569859 Set for Reversing Contactors
4	530518	Electric Box Cover	
5	SP358251506220	Fuse	6A
	SP358251601312	Fuse Isolator	
6	569856	Contactator	400-440V 12kW, 18kW or 24 kW
	569873	Contactator	230V 18 kW need to use with 569856; 230V 24 kW
7	SP514021	Transformer	208-440 Volt
8	SP311125000004	Washer	
9	SP309084000410	Bolt	
10	552483	End Cover	
11	552482	Fuse Housing	
12	SP345805005020	Fuse	250 Volt; T500mA
	SPPRI401001021	Fuse	250 Volt; F4A
13	SP346000014010	Cover	
14	SP514133	Fuse	500 Volt, F500mA; 440 Volt; 380-415 Volt
15	SP346000004010	Fuse Case	

# Electric Box Components - Gas and Steam Models



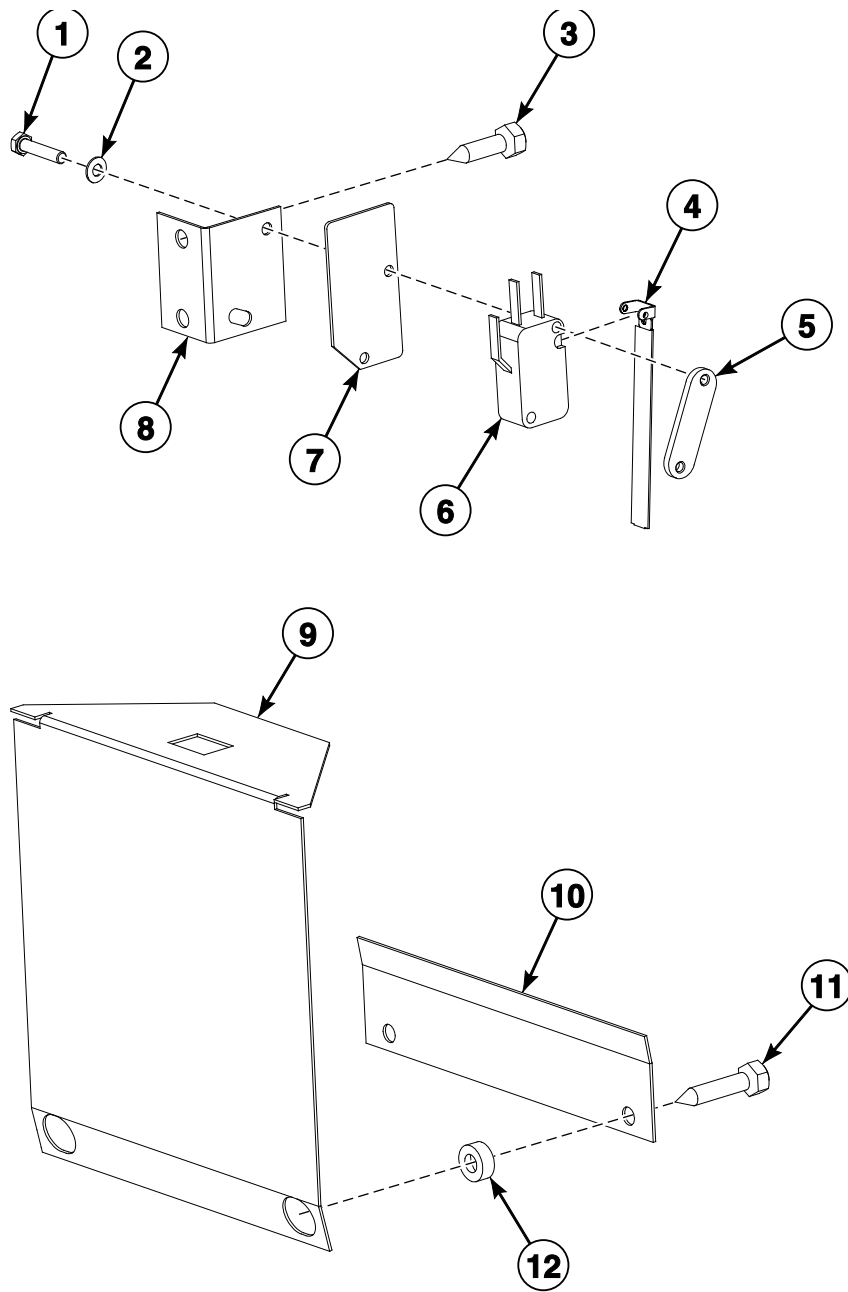
CZT469P\_D2445

## Electric Box Components - Gas and Steam Models

REF	PART NO.	DESCRIPTION	COMMENTS
	SP552248	Autotransformer	440-480 V/50 or 60 Hertz/3 AC
1	530518	Electric Box Cover	
2	SP514134	Relay	220VAC; Gas models
3	SP346000280402	Interconnection	
4	SP346000209101	End Stop	
5	569856	Contactor	
	SP520195	Resistance Bleeder	Reversing
6	569858	Mechanical Interlock Unit	Need to use with 569859 Set for Reversing Contactors
7	SP346000280101	Clamp	
8	SP346000280301	Cover	
9	SP514057	Relay	24VAC; Gas models
10	SP506586	Relay Case	Gas models; Including Relay Clamp
11	SP514021	Transformer	14.2V plus 24V; 208-440 Volt
	SP516648	Transformer	380-415 Volt without N
12	SP311125000004	Washer	
13	SP309084000410	Bolt	
14	552483	End Cover	
15	552482	Fuse Housing	
16	SPPRI401001021	Fuse	250 Volt F4A
	SP345805005020	Fuse	250 Volt T500mA
	SPPRI401020021	Fuse	1.6A
17	SP346000014010	Cover	
18	SP514133	Fuse	500 Volt, F500mA; 440 Volt; 380-415 Volt
	SP345805163032	Fuse	1A
19	SP346000004010	Fuse Case	
20	SP557962	Frequency Inverter	

# Under Pressure Clutch

Gas, Steam and Electric Models



TMB3370P\_D2445

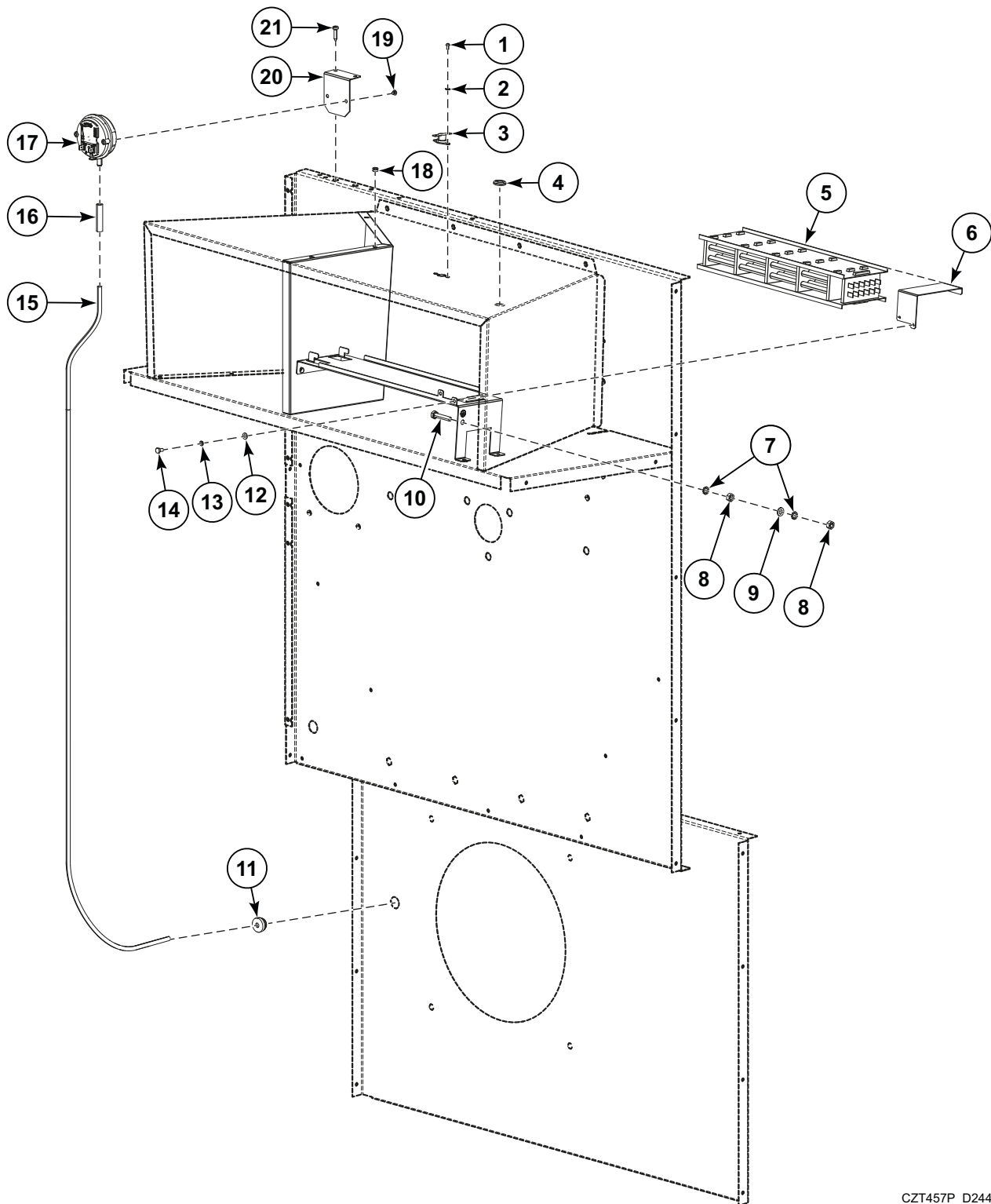


## Under Pressure Clutch

REF	PART NO.	DESCRIPTION	COMMENTS
	SP520870	Underpressure Clutch Assembly	Includes items 1-12
1	SP516623	Bolt	
2	SP311125000003	Washer	
3	SP518623	Bolt	
4	SP517441	Microswitch Lever Assembly	
5	SP235119001815	Nut	
6	SPPRI610028017	Microswitch	
7	SP101154	Isolation Plate	
8	SP520803	Microswitch Bracket	
9	SP520805	Clutch	
10	SP520808	Stop End	
11	SP520871	Screw	
12	SP520804	Distance Ring	

# Heat Pump Booster

Heat Pump Booster Models

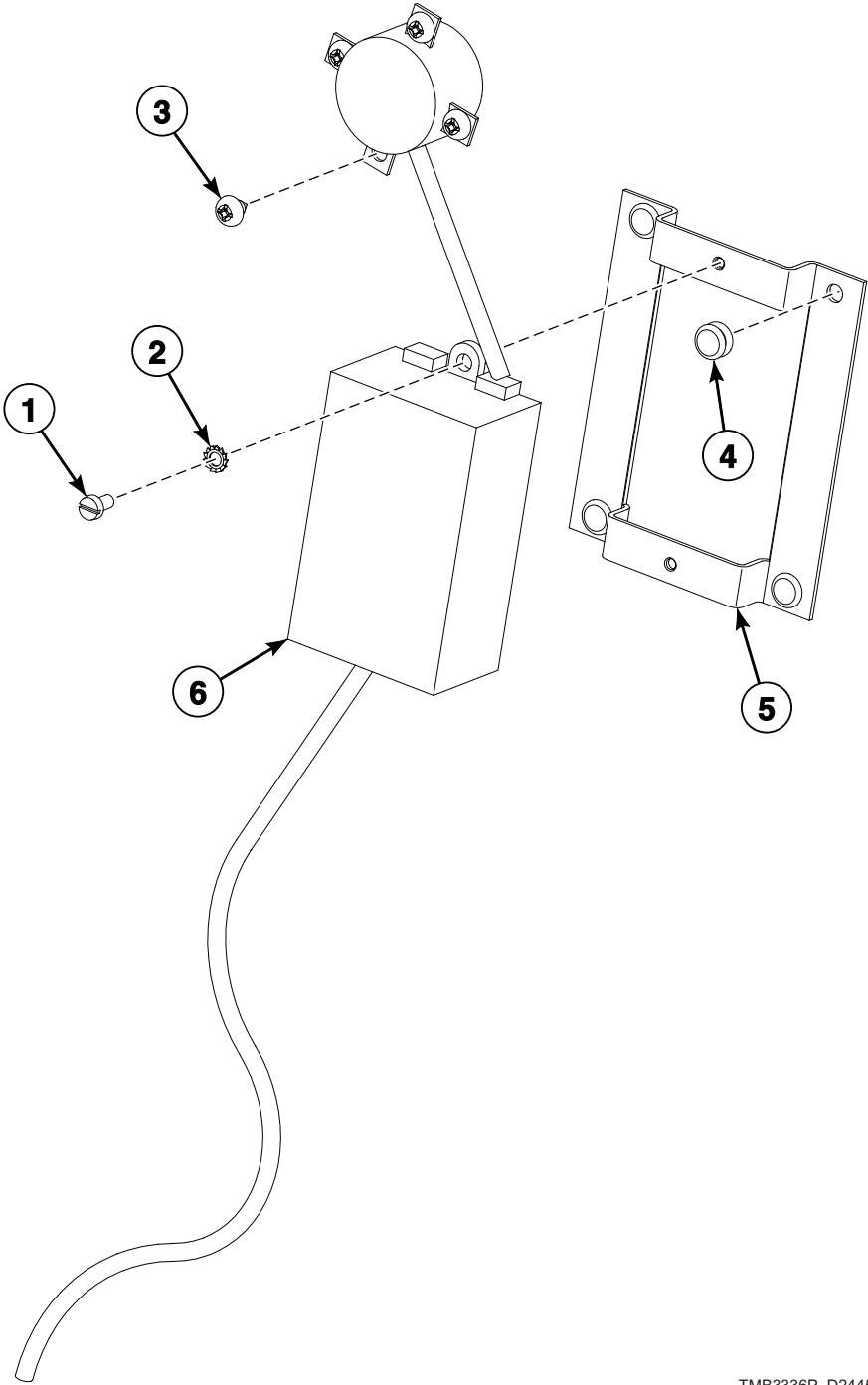


CZT457P\_D2445

# Heat Pump Booster

REF	PART NO.	DESCRIPTION	COMMENTS
1	SP309798500306	Bolt	M3x6
2	SP311125000003	Washer	M3
3	SP527728	Safety Thermostat	
4	PRI501000069	Cable Grommet	
5	581425	Heater	3kW/230V
6	581434	Heater Cover	
7	SP311679824006	Washer	M6
8	SP310934100006	Nut	M6
9	SP311125240006	Washer	M6
10	SP309933100625	Bolt	M6x25
11	SP526439	Temperature Sensor Seal	
12	SP311125240004	Washer	M4
13	SP311127240004	Washer	M4
14	SP309798524408	Bolt	M4x8
15	SP319300006001	Hose	51.18 inch (1.3m)
16	SP273030000502	Hose	5x2
17	575487	Differential Pressure Switch	
18	SP313250004063	Rivet	
19	SP517238	Screw	ST3.5x6.5
20	575488	Switch Holder	
21	SP518623	Bolt	ST4.2x9.5

# Humidity Sensor

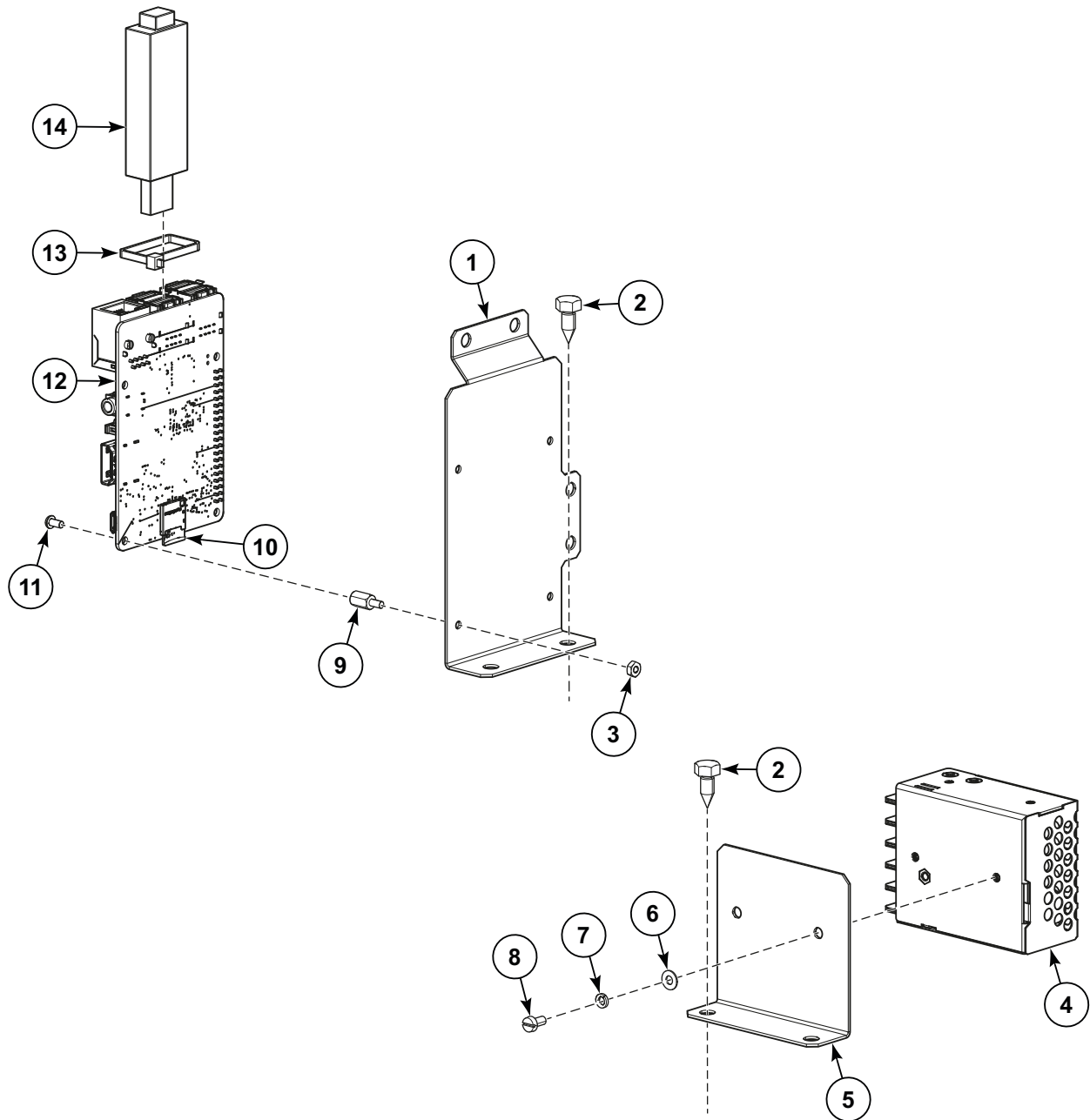


TMB3336P\_D2445

# Humidity Sensor

REF	PART NO.	DESCRIPTION	COMMENTS
	SP532002	Dust Cap Humidity Sensor	
	SP518562	Humidity Sensor Assembly	Includes items 1-6
1	SP309084000306	Bolt	
2	SP311679800003	Washer	
3	SP309798500306	Screw	
4	SP313250004075	Rivet	
5	SP518563	Sensor Holder	
6	SP102456	Humidity Sensor	

# WiFi Connection

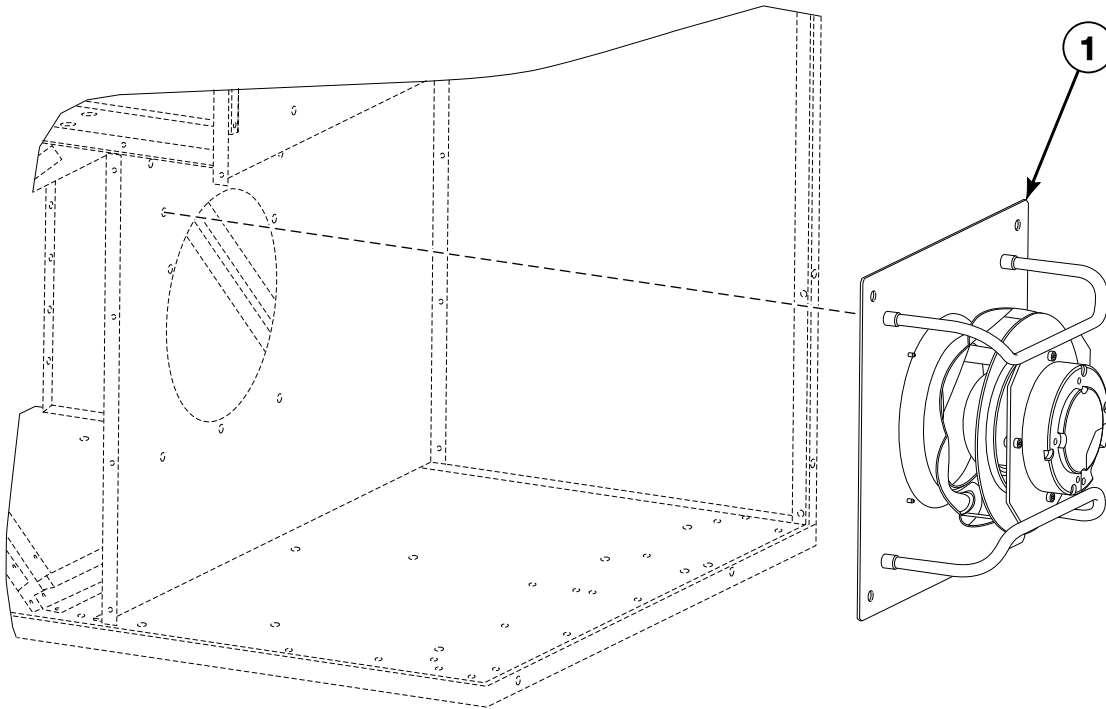


CZT446P\_D2445

## WiFi Connection

REF	PART NO.	DESCRIPTION	COMMENTS
	573395	WiFi Service kit	Includes items 1-14, items 575872, 575873, 575866 and Flash Memory with Firmware
	575872	Power Supply Cable	
	575873	WiFi Cable	
	575866	Power Supply Harness	Micro USB-B
1	573393	Control Board Holder	
2	SP100218	Screw	ST4.8x13
3	573392	Nut	M2.5
4	575864	Power Supply	
5	573394	Power Supply Holder	
6	SP311125000003	Washer	M3
7	SP311127000003	Washer	M3
8	SP309084000306	Bolt	M3x6
9	573390	Spacer	M2.5x8
10	553442	MicroSD Card	16GB
11	573391	Bolt	M2.5x5
12	553440	Control Board	
13	SP345000626088	Binding Strip	
14	529102	Converter	USB RS485 - Nano

# Ventilator - Heat Pump Models



TMB3354P\_D2445



## Ventilator - Heat Pump Models

REF	PART NO.	DESCRIPTION	COMMENTS
	SP534930	Temperature Sensor	
1	SP552675	Ventilator	



# Parts Index

## A

Access Cover	
SP530796 .....	29, 31
SP557136 .....	29
Adhesive	
SP245704003021 .....	37, 39
Adjustable Foot	
SPPRI504000001 .....	29, 33
Autotransformer	
SP552201 .....	65
SP552248 .....	65, 67, 69

## B

Back Seal	
SP527801 .....	29, 31
579537 .....	29, 31
Base	
SP541489 .....	53
Bearing	
SP326000600300 .....	61
SP514005 .....	61
SP514007 .....	61
Bearing Bracket	
SP512366 .....	61
Bearing Flange	
SP514483 .....	61
Belt	
SP515257 .....	61
SP518647 .....	61
Binding Strip	
SP345000626088 .....	77
Blank Plate Kit	
SP102019 .....	43
Bolt	
SPPRI202001001 .....	43, 49
SP309084000306 .....	75, 77
SP309084000410 .....	65, 67, 69
SP309084000412 .....	55, 57
SP309084000416 .....	51
SP309084000420 .....	55
SP309798500306 .....	73
SP309798524408 .....	45, 73
SP309933000416 .....	11, 21, 25, 29, 31
SP309933000516 .....	43, 59
SP309933000616 .....	41, 57, 61
SP309933000625 .....	53, 63
SP309933000630 .....	29, 31
SP309933001025 .....	61
SP309933001050 .....	61
SP309933001120 .....	61
SP309933100625 .....	55, 73
SP309933240412 .....	5, 11, 23, 25, 29, 31
SP309966240410 .....	5
SP506012 .....	51, 57
SP510954 .....	63
SP515075 .....	5, 39
SP516623 .....	71
SP516693 .....	29, 33
SP518556 .....	61

SP518623 .....	71, 73
SP518719 .....	29, 33
SP524367 .....	37, 39
SP525030 .....	35
SP525101 .....	37, 39
SP533726 .....	53
SP534908 .....	59
SP537864 .....	51
SP545529 .....	29, 33
573391 .....	77

Box	
SP556044 .....	55
Box Assembly	
SP556043 .....	55
Bracket	
SP541436 .....	53
Burner Tube	
SP552515 .....	43, 45
Bushing	
SP101405 .....	51, 63
SP101406 .....	51, 55, 57
SP101408 .....	51, 55
SP273121011001 .....	29, 31
SP273121013002 .....	29, 31

## C

Cabinet	
SP552660 .....	51
Cable	
SP521061 .....	9, 11, 23, 25
Cable Grommet	
PRI501000069 .....	73
Chain	
SP521266 .....	7
Clamp	
SP346000280101 .....	69
SP529013 .....	59
Clip	
SP502214 .....	55
Clutch	
SP520805 .....	71
Coil	
SP516717 .....	49
Coin Meter	
SP100642 .....	15
SP100866 .....	15
SP100867 .....	15
SP100868 .....	15
SP100869 .....	15
SP100870 .....	15
SP100871 .....	15
SP100887 .....	15
SP100888 .....	15
SP100891 .....	15
SP100892 .....	15
SP100893 .....	15
SP100895 .....	15
SP100896 .....	15
SP100898 .....	15
SP100900 .....	15
SP100902 .....	15

N/A items do not appear in index.

SP101155.....	15	529115.....	17
SP101228.....	15	529119.....	17
SP101437.....	15	529159.....	19
SP101450.....	15	534187.....	17
SP101499.....	15	534289.....	17
SP101535.....	15	534297.....	17
SP101536.....	15	537775.....	17
SP101586.....	15	537776.....	17
SP101612.....	15	552951.....	17
SP101632.....	15	553008.....	17
SP101797.....	15	555667.....	17
SP102084.....	15	556113.....	17
SP102371.....	15	556114.....	17
SP102407.....	15	560095.....	17
SP102452.....	15	560097.....	17
SP102473.....	15	560098.....	17
SP102546.....	15	560099.....	17
SP516632.....	15	560746.....	17
SP516636.....	15	569920.....	19
SP516638.....	15	569923.....	19
SP516639.....	15	569926.....	19
SP516737.....	15	569929.....	19
SP516804.....	15	569932.....	19
SP516807.....	15	569935.....	19
SP516875.....	15	569938.....	19
SP516921.....	15	569941.....	19
SP516950.....	15	569944.....	19
SP516967.....	15	569947.....	19
SP516969.....	15	569950.....	19
SP516977.....	15	569953.....	19
SP516980.....	15	569956.....	19
SP516984.....	15	569963.....	19
SP516991.....	15	569966.....	19
SP516994.....	17	569969.....	19
SP516999.....	17	569972.....	19
SP529106.....	17	569975.....	19
SP529108.....	17	569981.....	19
SP529110.....	17	569986.....	19
SP529114.....	17	572303.....	19
SP529124.....	17	572306.....	19
SP537778.....	17	572309.....	19
SP537779.....	17	572312.....	19
SP537787.....	17	572315.....	19
SP537788.....	17	572319.....	19
SP537825.....	17	572322.....	19
SP537828.....	17	572325.....	19
SP537829.....	17	572337.....	19
SP537859.....	17	572338.....	19
SP537913.....	17	572340.....	19
SP552901.....	17	572344.....	19
SP552952.....	17	572360.....	19
SP552998.....	17	572385.....	19
SP553007.....	17	572390.....	19
SP553140.....	17	579810.....	19
SP553152.....	17	579814.....	19
SP556109.....	17	579820.....	19
SP556153.....	17		
SP559709.....	17	Coin Meter Bracket	
SP560096.....	17	SP556081.....	11
SP560793.....	17	Coin Vault	
SP561379.....	17	SP321848140028.....	29, 31
SP564823.....	17	573350.....	29, 31
516848.....	19	Coin Vault Assembly	
516908.....	19	573370.....	29, 31
516909.....	19	Coin Vault Cover	
516913.....	19	SP515291.....	5
516914.....	19	Coin Vault Frame	
516976.....	15	SP501514.....	5
529113.....	17		

N/A items do not appear in index.



Door Ring	
SP534873 .....	37, 39
Door Switch Assembly	
SP520404 .....	29, 33
Door Switch Holder	
SP520403 .....	29, 33
Double Drum Pulley	
SP518646 .....	61
Double Pulley	
SP534703 .....	61
Drive Bracket	
SP512363 .....	61
Drum	
577766 .....	35
577769 .....	35
Drum Assembly	
577704 .....	35
577726 .....	35
Dust Cap Humidity Sensor	
SP532002 .....	75

## **E**

Elbow	
SP527236 .....	57
572350 .....	45
572352 .....	45
Elbow Bracket Assembly	
SP556943 .....	57
Electric Box Cover	
530518 .....	65, 67, 69
Electrode Bracket	
SP512141 .....	43
Emergency Stop Connector	
SP528311 .....	13, 21
Emergency Stop Knob	
SP528310 .....	13, 21
End Cover	
552483 .....	65, 67, 69
End Stop	
SP346000209101 .....	65, 67, 69
Exhaust Assembly	
SP534910 .....	59
Exhaust Bracket	
SP530689 .....	59
Exhaust Cover	
SP545533 .....	29, 33

## **F**

Fan	
SP528481 .....	51
Fan Assembly	
SP541496 .....	51
Fan Cover	
SP541484 .....	51
Fan Holder	
SP541495 .....	51
Fan Housing Weldment	
575503 .....	63

Fan Motor	
SP523625 .....	63
Fan motor	
SP523622 .....	63
Filling Hose Pipe	
SPPRI505000054 .....	57
SP101621 .....	57
Filter	
SP512324 .....	29, 33
SP519027 .....	49
SP552251 .....	55
Filter Assembly	
SP560162 .....	29
Filter Panel Assembly	
SP530630 .....	7
SP530631 .....	7
SP530633 .....	7
SP530634 .....	7
SP555961 .....	7
SP555962 .....	7
SP559827 .....	7
SP559828 .....	7
Fine Filter	
SP560160 .....	29
Fixation Ring	
579515 .....	39
580339 .....	39
Flame Detection Cable	
SP516057 .....	43
Flange	
SP102018 .....	43
SP514062 .....	43
Flange Bearing Body	
SP514011 .....	61
SP514012 .....	61
Flap Assembly	
SP534902 .....	59
Flap Stop	
SP534900 .....	59
Frequency Inverter	
SP557962 .....	69
571478 .....	55
Front Panel Assembly	
SP530620 .....	5
SP530621 .....	5
SP530622 .....	5
SP530623 .....	5
SP545542 .....	5
SP545543 .....	5
SP555996 .....	5
SP555997 .....	5
SP555998 .....	5
SP559831 .....	5
SP559832 .....	5
SP559833 .....	5
Front Seal	
SP518505 .....	29, 31
Fuse	
SPPRI401001021 .....	65, 67, 69
SPPRI401020021 .....	69
SP345805005020 .....	65, 67, 69
SP345805163032 .....	69
SP358251506220 .....	65, 67
SP514133 .....	65, 67, 69
SP557786 .....	41

N/A items do not appear in index.

Fuse Case	
SP34600004010 .....	65, 67, 69
Fuse Housing	
552482 .....	65, 67, 69
Fuse Isolator	
SP358251601312 .....	65, 67

## G

Gas Heater Box	
SP512130 .....	43
569440 .....	45
Gas Valve	
SP102000 .....	43
SP520281 .....	43
572351 .....	45
Gas Valve Cable	
SP357500459412 .....	43
Gas Valve Wiring	
520098 .....	43
Glue	
SP534969 .....	37, 39

## H

Handle	
579513 .....	39
Heat Pump	
SP556082 .....	51
SP556083 .....	51
SP556084 .....	51
SP556085 .....	51
SP556090 .....	51
SP556091 .....	51
SP556092 .....	51
SP556093 .....	51
SP556659 .....	51
SP556660 .....	51
SP556663 .....	51
SP556664 .....	51
Heater	
581425 .....	73
Heater Box	
SP528941 .....	41
Heater Cover	
581434 .....	73
Heating Element	
SP510984 .....	41
SP510985 .....	41
Heating Element Bracket	
SP527900 .....	41
Holder	
569446 .....	45
571880 .....	45
571884 .....	45
Hose	
SPPRI540000014 .....	57
SP273030000502 .....	73
SP273454410020 .....	43
SP319300006001 .....	73
Hose Clamp	
SPPRI240000002 .....	57

Hose Pipe	
SP101745 .....	57
Humidity Sensor	
SP102456 .....	75
Humidity Sensor Assembly	
SP518562 .....	75
Humidity Sensor Cover	
SP551869 .....	51

## I

Ignition Cable	
SP516060 .....	43
571487 .....	45
Ignition Electrode	
575643 .....	43, 45
Ignition Unit	
SP357456010080 .....	43
Inlet Nozzle	
SP520950 .....	63
Insulation	
SP552666 .....	57
Interconnection	
SP346000280402 .....	69
Isolation Plate	
SP101154 .....	29, 33, 71

## K

Key	
SP505449 .....	61

## L

Label	
SP562956 .....	13
Latch	
SP514530 .....	5, 37, 39
Lath	
SP524582 .....	37, 39
SP556553 .....	37
SP559706 .....	37, 39
Lock	
SPPRI610000007 .....	7, 9, 13, 23, 27
SP521221 .....	7
Lock Hook	
SPPRI610001007 .....	7, 9, 13, 23, 27
SP534645 .....	29, 31
Lower Door Hinge	
SP525104 .....	37, 39
SP556554 .....	37
SP559704 .....	37, 39
Lower Rear Cover	
SP530799 .....	31

## M

Magnet	
564203 .....	37, 39

N/A items do not appear in index.

Main Switch	
SPPRI404000097	29, 31
SPPRI404000098	31
SPPRI404000099	31
SPPRI404000100	31
Main Switch Knob	
SPPRI404000095	29, 31
Mechanical Interlock Unit	
569858	65, 67, 69
Memory	
SP526001	9, 11, 21, 25
102460	11, 21, 25
103460	9
545264	11, 21, 25
545265	11, 21, 25
545266	11, 21, 25
545267	11, 21, 25
545268	9
MicroSD Card	
553442	77
Microswitch	
SPPRI610011077	29, 33
SPPRI610028017	71
SP506045	29, 33
SP517484	29, 33
Microswitch Bracket	
SP520803	71
Microswitch Lever Assembly	
SP517441	71
Motor	
SP523724	61
SP523725	61
Motor Bracket	
SP515418	61
SP518517	61
Motor Pulley	
SP527723	61
SP528922	61
SP530720	61
SP530721	61

## N

Nozzle	
SP512067	43
SP556922	57
Nozzle Adapter	
SP556916	57
Nozzle Bracket Assembly	
SP556919	57
Nozzle Fitting Adapter	
SP556915	57
Nozzle Holder Assembly	
SP556920	57
Nut	
SPPRI610005007	9, 13, 21, 27
SPPRI610006007	9, 13, 23, 27
SP101415	51, 63
SP101416	51, 55, 57
SP101418	51, 55
SP235119001815	71
SP310934000003	9
SP310934000004	9, 11, 21, 25
SP310934000006	45, 53
SP310934000010	29, 33, 35, 61

N/A items do not appear in index.

SP310934000020	53
SP310934100006	55, 73
SP310934240004	37, 39
SP310934240005	43, 45, 49
SP310985000006	29, 31, 61
SP310985000010	61
SP310985000012	61
SP514193	13, 23, 27, 29, 31, 39
SP534929	59
SP545530	29, 33
573392	77

## O

Orifice	
517222	43, 47
517223	43, 47
517224	47
517225	43, 47
517226	43, 47
517227	43, 47
517241	43, 47
517243	43, 47
517245	43, 47
517246	43, 47
517250	43, 47
517251	43, 47
517252	43, 47
517253	43, 47
517257	43, 47
517258	43, 47
517327	43, 47
517328	43, 47
517329	43, 47
517330	43, 47
517331	43, 47
517337	43, 47
520236	43, 47
520237	43, 47
520399	43, 47
525465	47
525466	43, 47
530819	43, 47
530820	43, 47
575530	47

Outer Door Gasket	
SP519933	37, 39

Overlay	
SP553415	25
SP556099	11, 23, 25
SP559870	11, 23, 25
SP559871	11, 23, 25
SP559900	11, 23, 25
SP560140	9

## P

Pin Insertion	
SP520408	7
Plastic Layer Holder	
580337	39
Plug	
SPPRI505000064	63
SP273127001798	59
SP345900025012	7



SP520297 .....	41
SP534904 .....	59
Power Supply 575864 .....	77
Power Supply Cable 575872 .....	77
Power Supply Harness 575866 .....	77
Power Supply Holder 573394 .....	77

## R

Reinforcement Bracket SP512365 .....	61
Relay SP514057 .....	65, 69
SP514134 .....	69
Relay Case SP506586 .....	65, 69
Resistance Bleeder SP520195 .....	69
Retaining Ring SP515517 .....	61
Rinsing System Bracket SP556954 .....	57
Rivet SP313250004063 .....	73
SP313250004075 .....	11, 21, 25, 75
Rod SP517486 .....	29, 31

## S

Safety Thermostat SP514016 .....	63
SP514127 .....	41, 43, 45, 49
SP527728 .....	73
Screw SP100218 .....	11, 23, 25, 29, 31, 43, 45, 59, 63, 77
SP309798100313 .....	41
SP309798500306 .....	63, 75
SP517238 .....	43, 45, 49, 73
SP520407 .....	7
SP520871 .....	11, 23, 25, 71
SP529206 .....	53
572361 .....	45
Sensor Holder SP518563 .....	75
Shim SP529082 .....	13, 21, 27
Side Panel SP541424 .....	51
SP541425 .....	51
SP556005 .....	51
SP556007 .....	51
SP556649 .....	51
SP556650 .....	51
Sliding Board SP514480 .....	61
Spacer SP515521 .....	61

SP520940 .....	63
573390 .....	77
Spring SPPRI611000009 .....	29, 31
Steam Exchanger SP530409 .....	49
SP530410 .....	49
Steam Filter SP405054057006 .....	49
Steam Valve SP516718 .....	49
Steam Valve Body SP514166 .....	49
Stirrup 577644 .....	45
Stop End SP520808 .....	71
Stop Pin SP520201 .....	37, 39
Support Plate SP515514 .....	61
Switch SP100388 .....	29, 31
Switch Holder.57548873	
Switch Panel SP520890 .....	31
SP520891 .....	29
Switching Unit SP528312 .....	13, 21
Swivel Wheel Assembly SP541494 .....	53
SP551864 .....	53

## T

Temperature Sensor SP516092 .....	41, 43, 45
SP534930 .....	63, 79
Temperature Sensor Seal SP526439 .....	73
Tension Assembly SP514479 .....	61
SP528928 .....	61
Tension Rod SP534704 .....	61
Thermostat Bracket SP520227 .....	49
SP541457 .....	53
Time Relay 581723 .....	57
Transformer SP514021 .....	65, 67, 69
SP516648 .....	69
Trunnion SP514957 .....	35
Tube SP144151508341 .....	59
SP314G00017524 .....	49
SP512142 .....	43
SP517236 .....	49
SP534914 .....	59
571881 .....	45
571928 .....	45

N/A items do not appear in index.

Tube Insert	
SPX01140400514 .....	49

## U

Underpressure Clutch Assembly	
SP520870 .....	71
Upper Cover	
SP530795 .....	29, 31
SP557133 .....	29
Upper Door Hinge	
SP525105 .....	37, 39
SP556555 .....	37
SP559705 .....	37, 39
Upper Rear Cover	
SP530798 .....	31
569441 .....	31

## V

Valve	
SP556959 .....	57
Valve Bracket	
SP512144 .....	43
Valve Bracket Assembly	
SP556946 .....	57
Valve Cover Assembly	
SP556947 .....	57
Ventilator	
SP520945 .....	63
SP552675 .....	79

## W

Washer	
SPPRI522000012 .....	7, 13, 21, 27
SP311125000003 .....	9, 29, 33, 43, 71, 73, 77
SP311125000004 .....	5, 9, 11, 21, 25, 29, 31, 45, 51, 55, 57, 65, 67, 69
SP311125000005 .....	43, 49
SP311125000006 .....	41, 45, 53, 57, 61
SP311125000010 .....	9, 29, 33, 35, 61
SP311125000013 .....	61
SP311125000020 .....	13, 21, 27
SP311125100006 .....	55
SP311125240004 .....	73
SP311125240006 .....	73
SP311127000003 .....	29, 33, 77
SP311127000004 .....	5, 9, 11, 21, 25, 29, 31, 45, 51, 55, 57
SP311127000005 .....	43, 49
SP311127000006 .....	41, 57
SP311127000010 .....	61
SP311127240003 .....	9
SP311127240004 .....	73
SP311679800003 .....	9, 75
SP311679800004 .....	11, 21, 25, 55
SP311679824006 .....	53, 55, 73
SP311902100006 .....	51, 61, 63
SP311902100008 .....	63
SP311902100010 .....	61
SP311902100012 .....	61
SP510697 .....	35

SP512233 .....	35
SP514906 .....	5
SP516669 .....	41, 43, 45, 59
SP524366 .....	5
SP545531 .....	29, 33
517426 .....	35

WiFi Cable	
575873 .....	77
WiFi Service kit	
573395 .....	77